



**State of West Virginia
Agency Request for Quote
Equipment**

| | | | |
|--|----------------------------|---|----------------|
| Proc Folder: 1036706 | | Reason for Modification: | |
| Doc Description: Addendum No. 01 - Wildlife: 15 Ton Steel Track Excavator | | Addendum | |
| Proc Type: Agency Purchase Order | | Addendum No. 01 is issued to publish and distribute the attached information to the Vendor Community. | |
| Date Issued | Solicitation Closes | Solicitation No | Version |
| 2022-05-18 | 2022-05-24 13:30 | ARFQ 0310 DNR2200000033 | 2 |

BID RECEIVING LOCATION

BID RESPONSE
 DIVISION OF NATURAL RESOURCES
 PROPERTY & PROCUREMENT OFFICE
 324 4TH AVE
 SOUTH CHARLESTON WV 25303-1228
 US

VENDOR

Vendor Customer Code:
Vendor Name: STATE EQUIPMENT, INC.
Address: 560 NEW GOLF MOUNTAIN ROAD
Street:
City: CRIST LAWES
State: WV **Country:** USA **Zip:** 25313
Principal Contact: GODDIE ROWAN, JR
Vendor Contact Phone: 304-776-4405 **Extension:** 304-776-4409

FOR INFORMATION CONTACT THE BUYER
 James H Adkins
 (304) 558-3397
 jamie.h.adkins@wv.gov

Vendor Signature X  **FEIN#** 550658298 **DATE** 5-23-22

All offers subject to all terms and conditions contained in this solicitation

ADDITIONAL INFORMATION

The West Virginia Division of Natural Resources is soliciting bids on behalf of the Wildlife Resources Section for the one-time purchase of a 15-ton steel track excavator.

| INVOICE TO | SHIP TO |
|-------------------|----------------|
|-------------------|----------------|

| | |
|--|--|
| DIVISION OF NATURAL RESOURCES DISTRICT III OFFICE 163 WILDLIFE RD FRENCH CREEK WV US | SUMMERSVILLE WMA 3421 Summersville Lake Rd Summersville WV US |
|--|--|

| Line | Comm Ln Desc | Qty | Unit Issue | Unit Price | Total Price |
|------|-------------------------------|---------|------------|---------------------|---------------------|
| 1 | Excavator -15 Ton Steel Track | 1.00000 | EA | <i>\$268,900.00</i> | <i>\$268,900.00</i> |

| Comm Code | Manufacturer | Specification | Model # |
|-----------|--------------|------------------|---------------|
| 22100000 | <i>CASE</i> | <i>EXCAVATOR</i> | <i>CX145D</i> |

Extended Description:
Heavy construction machinery and equipment

SCHEDULE OF EVENTS

| Line | Event | Event Date |
|------|---|------------|
| 1 | TECHNICAL QUESTION DEADLINE at 9:00 a.m. ET | 2022-05-12 |

| | Document Phase | Document Description | Page |
|---------------|----------------|--|------|
| DNR2200000033 | Final | Addendum No. 01 - Wildlife: 15 Ton Steel Track Excavator | 3 |

ADDITIONAL TERMS AND CONDITIONS

See attached document(s) for additional Terms and Conditions

EXHIBIT A - PRICING PAGE


REQUEST FOR QUOTATION

WV Division of Natural Resources - Wildlife Resources Section
 2022 or Current Model Year 15-ton Steel Tracked Excavator

| Item No. | Description | INSERT: Make/Model of Item Being Bid | Qty | Unit Cost* |
|----------|---|---|-----|----------------------|
| 3.1 | John Deere Model 130 G LC (Long Carriage) or Equal | CASE CX1450 | 1 | \$268,900. <u>00</u> |

(Two Hundred Sixty Eight Thousand Nine Hundred Dollars.)

*Unit Cost MUST include delivery to WMA. See solicitation 6.1 for specification shipping address.

Vendor SMT Equipment, Inc. Date 5/23/22
 Authorized Signature  Date

SOLICITATION NUMBER: ARFQ DNR22*33

Addendum Number: No. 01

The purpose of this addendum is to modify the solicitation identified as ("Solicitation") to reflect the change(s) identified and described below.

Applicable Addendum Category:

- Modify bid opening date and time
- Modify specifications of product or service being sought
- Attachment of vendor questions and responses
- Attachment of pre-bid sign-in sheet
- Correction of error
- Other

Description of Modification to Solicitation:

Addendum issued to publish and distribute the attached documentation to the vendor community.

1. To move bid due date to Tuesday May 24, 2022 at 1:30pm.
2. To address submitted questions.

NO OTHER CHANGES.

Additional Documentation: Documentation related to this Addendum (if any) has been included herewith as Attachment A and is specifically incorporated herein by reference.

Terms and Conditions:

1. All provisions of the Solicitation and other addenda not modified herein shall remain in full force and effect.
2. Vendor should acknowledge receipt of all addenda issued for this Solicitation by completing an Addendum Acknowledgment, a copy of which is included herewith. Failure to acknowledge addenda may result in bid disqualification. The addendum acknowledgement should be submitted with the bid to expedite document processing.

Attachment A



STATE EQUIPMENT, INC.

PO BOX 3939
CHARLESTON WV 25339

PHONE: 304-776-4405
FAX: 304-776-4409
INFO@STATEEQUIPMENT.COM
WWW.STATEEQUIPMENT.COM

Exceptions to Specifications

3.1.1 3.0 L Engine

3.1.24 Seat Not Heated

Addendum No. 01
ARFQ DNR22*33

Technical Questions:

Q1: Would you accept 2021 year model if model hasn't changed?

A1: A 2021 model year would be accepted as a substitute if it were brand new and met all other mandatory specifications.

Q2: Would you accept 3.0L Engine if HP meets requirements?

A2: No.

Q3: Are you looking for belly pans under the machine in case something comes through the tracks?

A3: Yes, this machine will be used almost exclusively in a forested setting on uneven ground exposed to rocks and stumps, logs and branches and therefore must be protected underneath from damage.

Q4: Must have an air suspension heated seat?

A4: Yes.

Q5: Would you accept a non heated seat?

A5: No.

Q6: With ongoing inventory availability issues, would you extend your delivery timeline?

A6: At this time, the specified delivery is reasonable.

ADDENDUM ACKNOWLEDGEMENT FORM
SOLICITATION NO.: ARFQ DNR22*33

Instructions: Please acknowledge receipt of all addenda issued with this solicitation by completing this addendum acknowledgment form. Check the box next to each addendum received and sign below. Failure to acknowledge addenda may result in bid disqualification.

Acknowledgment: I hereby acknowledge receipt of the following addenda and have made the necessary revisions to my proposal, plans and/or specification, etc.

Addendum Numbers Received:

(Check the box next to each addendum received)

- | | |
|--|--|
| <input checked="" type="checkbox"/> Addendum No. 1 | <input type="checkbox"/> Addendum No. 6 |
| <input type="checkbox"/> Addendum No. 2 | <input type="checkbox"/> Addendum No. 7 |
| <input type="checkbox"/> Addendum No. 3 | <input type="checkbox"/> Addendum No. 8 |
| <input type="checkbox"/> Addendum No. 4 | <input type="checkbox"/> Addendum No. 9 |
| <input type="checkbox"/> Addendum No. 5 | <input type="checkbox"/> Addendum No. 10 |

I understand that failure to confirm the receipt of addenda may be cause for rejection of this bid. I further understand that any verbal representation made or assumed to be made during any oral discussion held between Vendor's representatives and any state personnel is not binding. Only the information issued in writing and added to the specifications by an official addendum is binding.

STATE EQUIPMENT, INC.

Company

Authorized Signature

5/23/22

Date

NOTE: This addendum acknowledgment should be submitted with the bid to expedite document processing.

DESIGNATED CONTACT: Vendor appoints the individual identified in this Section as the Contract Administrator and the initial point of contact for matters relating to this Contract.



(Name, Title)

GENERAL MANAGER

EDDIE ROWAN, JR

GENERAL MANAGER

(Printed Name and Title)

560 NEW GOLF MOUNTAIN ROAD CROSS LANES, WV 25313

(Address)

(304) 776-4405

(304) 776-4409

(Phone Number) / (Fax Number)

EDDIE@STATEEQUIPMENT.COM

(email address)

CERTIFICATION AND SIGNATURE: By signing below, or submitting documentation through wvOASIS, I certify that I have reviewed this Solicitation in its entirety; that I understand the requirements, terms and conditions, and other information contained herein; that this bid, offer or proposal constitutes an offer to the State that cannot be unilaterally withdrawn; that the product or service proposed meets the mandatory requirements contained in the Solicitation for that product or service, unless otherwise stated herein; that the Vendor accepts the terms and conditions contained in the Solicitation, unless otherwise stated herein; that I am submitting this bid, offer or proposal for review and consideration; that I am authorized by the vendor to execute and submit this bid, offer, or proposal, or any documents related thereto on vendor's behalf; that I am authorized to bind the vendor in a contractual relationship; and that to the best of my knowledge, the vendor has properly registered with any State agency that may require registration.

STATE EQUIPMENT, INC.

(Company)



GENERAL MANAGER

(Authorized Signature) (Representative Name, Title)

EDDIE ROWAN, JR

GENERAL MANAGER

(Printed Name and Title of Authorized Representative)

5/23/22

(Date)

(304) 776-4405 (304) 776-4409

(Phone Number) (Fax Number)

STATE OF WEST VIRGINIA
Purchasing Division

PURCHASING AFFIDAVIT

CONSTRUCTION CONTRACTS: Under W. Va. Code § 5-22-1(i), the contracting public entity shall not award a construction contract to any bidder that is known to be in default on any monetary obligation owed to the state or a political subdivision of the state, including, but not limited to, obligations related to payroll taxes, property taxes, sales and use taxes, fire service fees, or other fines or fees.

ALL CONTRACTS: Under W. Va. Code §5A-3-10a, no contract or renewal of any contract may be awarded by the state or any of its political subdivisions to any vendor or prospective vendor when the vendor or prospective vendor or a related party to the vendor or prospective vendor is a debtor and: (1) the debt owed is an amount greater than one thousand dollars in the aggregate; or (2) the debtor is in employer default.

EXCEPTION: The prohibition listed above does not apply where a vendor has contested any tax administered pursuant to chapter eleven of the W. Va. Code, workers' compensation premium, permit fee or environmental fee or assessment and the matter has not become final or where the vendor has entered into a payment plan or agreement and the vendor is not in default of any of the provisions of such plan or agreement.

DEFINITIONS:

"Debt" means any assessment, premium, penalty, fine, tax or other amount of money owed to the state or any of its political subdivisions because of a judgment, fine, permit violation, license assessment, defaulted workers' compensation premium, penalty or other assessment presently delinquent or due and required to be paid to the state or any of its political subdivisions, including any interest or additional penalties accrued thereon.

"Employer default" means having an outstanding balance or liability to the old fund or to the uninsured employers' fund or being in policy default, as defined in W. Va. Code § 23-2c-2, failure to maintain mandatory workers' compensation coverage, or failure to fully meet its obligations as a workers' compensation self-insured employer. An employer is not in employer default if it has entered into a repayment agreement with the Insurance Commissioner and remains in compliance with the obligations under the repayment agreement.

"Related party" means a party, whether an individual, corporation, partnership, association, limited liability company or any other form or business association or other entity whatsoever, related to any vendor by blood, marriage, ownership or contract through which the party has a relationship of ownership or other interest with the vendor so that the party will actually or by effect receive or control a portion of the benefit, profit or other consideration from performance of a vendor contract with the party receiving an amount that meets or exceeds five percent of the total contract amount.

AFFIRMATION: By signing this form, the vendor's authorized signer affirms and acknowledges under penalty of law for false swearing (W. Va. Code §61-5-3) that: (1) for construction contracts, the vendor is not in default on any monetary obligation owed to the state or a political subdivision of the state, and (2) for all other contracts, that neither vendor nor any related party owe a debt as defined above and that neither vendor nor any related party are in employer default as defined above, unless the debt or employer default is permitted under the exception above.

WITNESS THE FOLLOWING SIGNATURE:

Vendor's Name: STATE EQUIPMENT, INC

Authorized Signature: [Signature] Date: 5/23/22

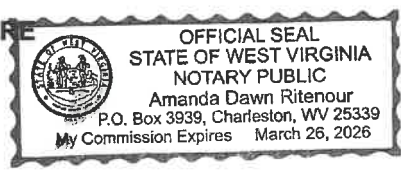
State of WEST VIRGINIA

County of KANAWHA, to-wit:

Taken, subscribed, and sworn to before me this 23 day of May, 2022

My Commission expires March 26, 2026

AFFIX SEAL HERE



NOTARY PUBLIC Amanda Dawn Ritenour



ENGINE

| | |
|---|--|
| Model | Isuzu AM-4JJ1X CEGR, SCR and DOC |
| Emissions Certification | Tier 4 Final |
| Fuel | Requires ultra low-sulfur fuel B5 biodiesel tolerant |
| Type | Water-cooled, 4-cycle, high pressure common rail system. Turbo-charged w/ air cooled intercooler |
| Cylinders | 4-cylinder in-line |
| Displacement | 183 in ³ (3.0 L) |
| Bore/Stroke | 3.76 x 4.13 in (95.4 x 104.9 mm) |
| Fuel injection | Direct injection – electronic |
| Fuel filter | Replaceable, full flow spin-on cartridge |
| Air filter | Dry type element w/ warning restriction indicator |
| Oil filter | Replaceable, full flow spin-on cartridge |
| Engine gradeability: | |
| Side-to-side | 35° |
| Fore and aft | 35° |
| Net horsepower – SAE J1349 @ 2000 RPM: | 102 hp (76.4 kW) |
| Net max. torque – SAE J1349 @ 1800 RPM: | 257 lb-ft (349 N-m) |
| Cooling operating range: | 109° to -13° F (43° to -25° C) |
| Oil | Requires low-ash oil CJ-4 |

DRIVETRAIN

| | |
|---------------------|--|
| Travel control | Dual stage relief/ counter balance design |
| Brakes | Mechanical disc |
| Service brakes | SAHR disc – each motor |
| Two speed travel: | |
| Max. high speed | 3.5 mph (5.6 kph) |
| Max. low speed | 2.1 mph (3.4 kph) |
| Automatic downshift | |
| Drawbar pull | 26,100 lbf (116 kN) |
| Gradeability | 70% – 35° slope |

ELECTRICAL

| | |
|--------------------------|-----------------|
| Voltage | 24 Volts |
| Alternator rating | 50 amp |
| Batteries | 2 x 12 Volt |
| Battery reserve capacity | 72 Ah/5 hour |
| Work lights – 4 | 24 Volt/70 watt |
| 1 boom, 1 upper, 2 cab | |

OPERATOR ENVIRONMENT

| | |
|----------------------------------|----------------|
| Air-conditioner output | 13,492 BTU/hr |
| Heater output | 12,897 BTU/hr |
| Sound level inside cab – ISO6395 | 70 dBA |
| Electrical outlet | 12 Volt |
| Cab interior light | 10 watt |
| Side view camera – right | Standard |
| Seat | Air-suspension |

ATTACHMENT

| | |
|----------------------|-----------------------|
| Boom | 15 ft 2 in (4 630 mm) |
| Arm | 8 ft 2 in (2 500 mm) |
| Bucket digging force | 20,200 lb-ft (90 kN) |
| w/ Auto Power-Boost | 21,400 lb-ft (95 kN) |

NOTE: *Digging force ratings based on ISO6015.

OPERATING WEIGHT

| | |
|------------------|-----------------------|
| Operating weight | 33,600 lb (15 200 kg) |
| w/ shoes | 2 ft 0 in (600 mm) |
| w/ boom | 15 ft 2 in (4 630 mm) |
| w/ arm | 8 ft 2 in (2 500 mm) |
| w/ bucket | 882 lb (400 kg) |
| w/ blade | 8 ft 6 in (2 590 mm) |
| w/ counterweight | 7,860 lb (3 570 kg) |

NOTE: W/ operator/full fuel/standard equipment.

GROUND PRESSURE

@ Standard operating weight 5.9 psi (0.41 bar)
w/ 23.6 in (600 mm) triple grouser shoes,
8 ft 2 in (2.5 m) Arm, 0.65 yd³ (0.5 m³) bucket

HYDRAULICS

| | |
|---------------------------|--|
| System design | Open center |
| Main pumps | Two-variable displacement/ axial piston |
| Max. rated flow per pump: | 34.1 gpm (129 L/min) @ 2000 RPM |
| Max. rated flow total: | 65.5 gpm (248 L/min) @ 2000 RPM |
| System pressures: | |
| Boom, arm and bucket | 4,970 psi (343 bar) |
| w/ power boost | 5,260 psi (363 bar) |
| Travel circuit | 4,970 psi (343 bar) |
| Swing circuit | 4,050 psi (279 bar) |
| Blade circuit | 2,990 psi (206 bar) |
| Pilot pump | 1 x gear design |
| Max. capacity | 5.3 gpm (20 L/min) |

Controls w/ boom/arm holding valve
Right track travel, bucket, boom and arm acceleration. 1 x Four-spool section

Left track travel, auxiliary, swing, boom and arm acceleration. 1 x Five-spool section

Blade 1 x One-spool section

Work mode selections SP: Speed Priority
H: Heavy-Duty
A: Automatic

Swing motor Fixed displacement axial piston

Swing final drive Planetary gear reduction

Travel motor Two-speed independent travel/axial piston

HYDRAULIC CYLINDERS

Boom cylinders Two (2)
Cylinder bore 4.1 in (105 mm)
Cylinder rod diameter 3.0 in (75 mm)
Cylinder stroke 44.1 in (1 120 mm)

Arm cylinder One (1)
Cylinder bore 4.5 in (115 mm)
Cylinder rod diameter 3.1 in (80 mm)
Cylinder stroke 43.6 in (1 108 mm)

Bucket cylinder One (1)
Cylinder bore 3.7 in (95 mm)
Cylinder rod diameter 2.6 in (65 mm)
Cylinder stroke 34.7 in (881 mm)

Blade cylinder Two (2)
Cylinder bore 4.5 in (115 mm)
Cylinder rod diameter 2.8 in (70 mm)
Cylinder stroke 9.8 in (250 mm)

SERVICE CAPACITIES

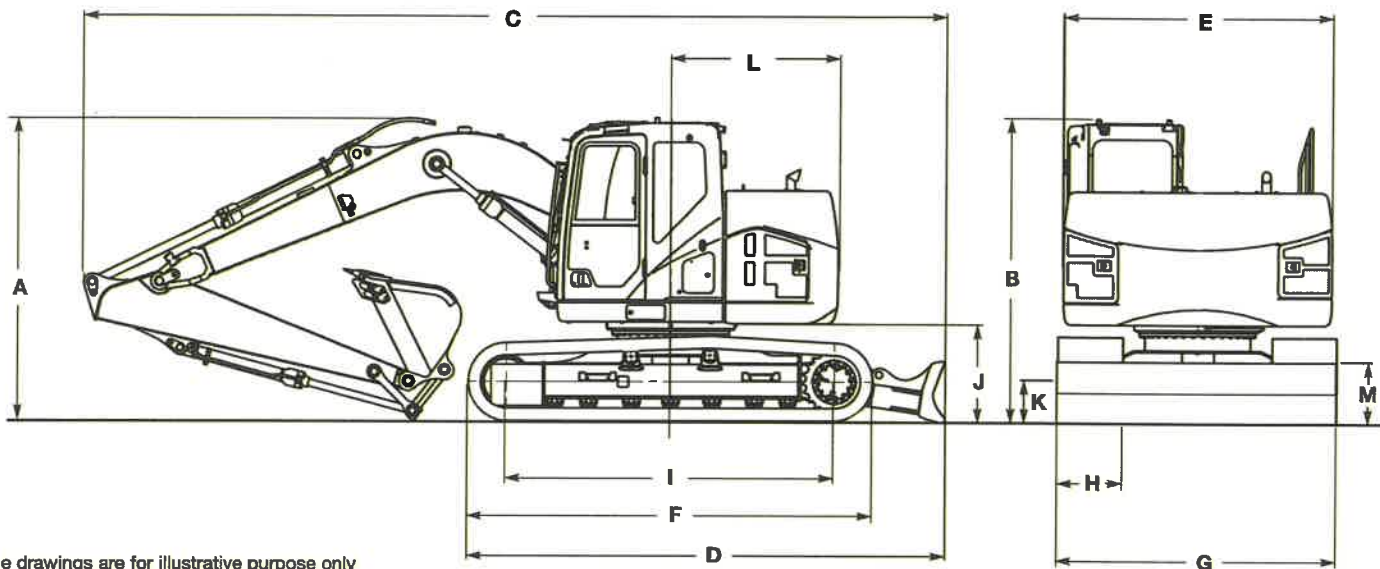
| | |
|----------------------|------------------|
| Fuel tank | 53 gal (200 L) |
| Hydraulic system | 42 gal (158 L) |
| Hydraulic tank | 20 gal (75 L) |
| Engine oil w/ filter | 4.5 gal (17 L) |
| Swing drive | 0.6 gal (2.2 L) |
| Final drive | 0.6 gal (2.1 L) |
| Cooling system | 4.4 gal (16.5 L) |
| Def Tank | 11.9 gal (45 L) |

OTHER SPECIFICATIONS

| | |
|------------------------------------|----------------------------|
| Swing speed | 0 – 12.5 RPM |
| Swing torque | 27,400 lb-ft (37 000 N-m) |
| Swing brake | Mechanical disc |
| Undercarriage: | |
| Length | 13 ft 8 in (4 160 mm) |
| Track gauge | 6 ft 6 in (1 990 mm) |
| Carrier rollers – each side | 1 |
| Track rollers – each side | 7 |
| Shoes – triple grouser – each side | 43 |
| Shoe width – std. | 2 ft 0 in (600 mm) |
| Link pitch | 6.8 in (172 mm) |
| Track: | |
| Chain | Grease lubricated/strutted |
| Guides | Single |
| Adjustment | Hydraulic |

BUCKETS

| Application | Width | SAE Rated Capacity |
|-------------------------------|---------------------------------------|--|
| Heavy-Duty Pin-On | 18 in to 48 in (457 mm to 1 219 mm) | 0.36 yd ³ to 1.08 yd ³ (0.28 m ³ to 0.83 m ³) |
| Heavy-Duty Hi-Capacity Pin-On | 18 in to 42 in (457 mm to 1 067 mm) | 0.42 yd ³ to 1.08 yd ³ (0.32 m ³ to 0.83 m ³) |
| Heavy-Duty Coupler | 18 in to 48 in (457 mm to 1 219 mm) | 0.31 yd ³ to 0.95 yd ³ (0.24 m ³ to 0.73 m ³) |
| Ditch Cleaning Pin-On | 48 in to 60 in (1 219 mm to 1 524 mm) | 0.64 yd ³ to 1.02 yd ³ (0.49 m ³ to 0.78 m ³) |

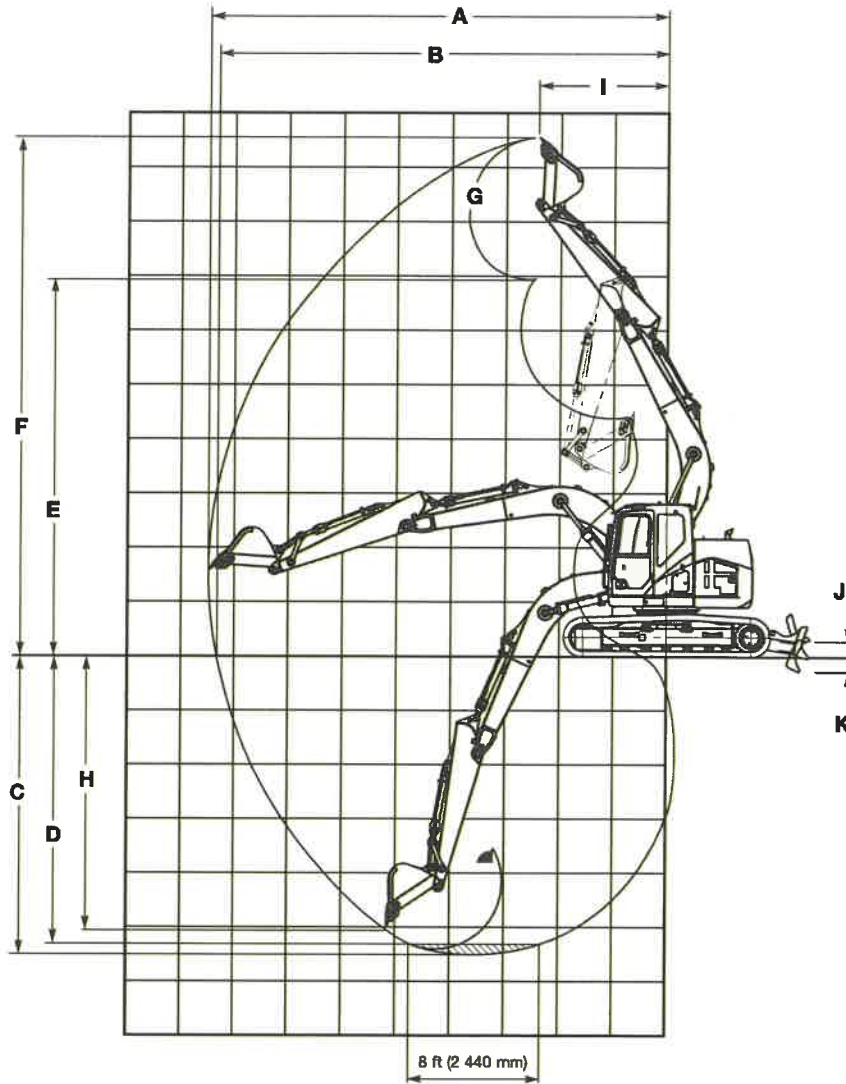


Line drawings are for illustrative purpose only and may not be exact representation of unit.

DIMENSIONS

| | 8 ft 2 in (2.50 m) Arm | 9 ft 10 in (3.01 m) Arm | 6 ft 11 in (2.11 m) Arm |
|--|------------------------|-------------------------|-------------------------|
| A. Overall height – to top of boom | 9 ft 4 in (2 840 mm) | 8 ft 10 in (2 680 mm) | 9 ft 0 in (2 750 mm) |
| B. Cab height | 9 ft 3 in (2 820 mm) | 9 ft 3 in (2 820 mm) | 9 ft 3 in (2 820 mm) |
| C. Overall length – with attachment | 25 ft 10 in (7 880 mm) | 25 ft 9 in (7 860 mm) | 25 ft 10 in (7 870 mm) |
| D. Overall length – without attachment | 13 ft 8 in (4 160 mm) | 13 ft 8 in (4 160 mm) | 13 ft 8 in (4 160 mm) |
| E. Width of upper structure | 8 ft 2 in (2 490 mm) | 8 ft 2 in (2 490 mm) | 8 ft 2 in (2 490 mm) |
| F. Track overall length | 11 ft 6 in (3 500 mm) | 11 ft 6 in (3 500 mm) | 11 ft 6 in (3 500 mm) |
| G. Track overall width with 23.6 in (600 mm) shoes | 8 ft 6 in (2 590 mm) | 8 ft 6 in (2 590 mm) | 8 ft 6 in (2 590 mm) |
| H. Track shoe width | 2 ft 0 in (600 mm) | 2 ft 0 in (600 mm) | 2 ft 0 in (600 mm) |
| I. Center to center – idler to sprocket | 9 ft 2 in (2 790 mm) | 9 ft 2 in (2 790 mm) | 9 ft 2 in (2 790 mm) |
| J. Upper structure ground clearance | 2 ft 11 in (880 mm) | 2 ft 11 in (880 mm) | 2 ft 11 in (880 mm) |
| K. Minimum ground clearance | 1 ft 5 in (425 mm) | 1 ft 5 in (425 mm) | 1 ft 5 in (425 mm) |
| L. Rear tail swing radius | 5 ft 0 in (1 530 mm) | 5 ft 0 in (1 530 mm) | 5 ft 0 in (1 530 mm) |
| M. Blade Height | 22 in (570 mm) | 22 in (570 mm) | 22 in (570 mm) |

NOTE: *With 23.6 in (600 mm) track shoe, 1,067 lb (484 kg) bucket, 165 lb (75 kg) operator, full fuel and standard equipment.



PERFORMANCE SPECS

| | 8 ft 2 in (2.50 m) Arm | 9 ft 10 in (3.01 m) Arm | 6 ft 11 in (2.11 m) Arm |
|--|------------------------|-------------------------|-------------------------|
| A. Maximum dig radius | 27 ft 2 in (8 290 mm) | 28 ft 8 in (8 740 mm) | 26 ft 1 in (7 940 mm) |
| B. Dig radius at groundline | 26 ft 8 in (8 140 mm) | 28 ft 3 in (8 600 mm) | 25 ft 6 in (7 780 mm) |
| C. Maximum dig depth | 18 ft 1 in (5 510 mm) | 19 ft 9 in (6 010 mm) | 16 ft 9 in (5 110 mm) |
| D. Dig depth - 8 ft 0 in (2.44 m) level bottom | 17 ft 4 in (5 290 mm) | 19 ft 2 in (5 830 mm) | 16 ft 0 in (4 870 mm) |
| E. Dump height | 22 ft 9 in (6 940 mm) | 23 ft 11 in (7 290 mm) | 21 ft 10 in (6 660 mm) |
| F. Maximum reach height | 30 ft 8 in (9 340 mm) | 31 ft 9 in (9 690 mm) | 29 ft 9 in (9 060 mm) |
| G. Bucket rotation | 178° | 178° | 178° |
| H. Maximum vertical wall dig depth | 16 ft 1 in (4 900 mm) | 17 ft 4 in (5 280 mm) | 15 ft 0 in (4 560 mm) |
| I. Minimum swing radius | 7 ft 8 in (2 340 mm) | 9 ft 0 in (2 750 mm) | 6 ft 8 in (2 030 mm) |
| J. Blade Maximum lift above ground | 1 ft 8 in (510 mm) | 1 ft 8 in (510 mm) | 1 ft 8 in (510 mm) |
| K. Blade Minimum drop below ground | 1 ft 9 in (520 mm) | 1 ft 9 in (520 mm) | 1 ft 9 in (520 mm) |
| Arm digging force: | | | |
| Standard | 13,900 lbf (62 kN) | 12,600 lbf (56 kN) | 15,700 lbf (70 kN) |
| Power Boost | 14,800 lbf (66 kN) | 13,500 lbf (60 kN) | 16,600 lbf (74 kN) |
| Bucket digging force: | | | |
| Standard | 20,200 lbf (90 kN) | 20,200 lbf (90 kN) | 20,200 lbf (90 kN) |
| Power Boost | 21,400 lbf (95 kN) | 21,400 lbf (95 kN) | 21,400 lbf (95 kN) |

LIFT CAPACITIES

8 ft 3 in (2.50 m) Arm Lift capacities calculated using a 880 lb (400 kg) bucket, 7,860 lb (3 570 kg) counterweight with dozer blade on ground.

| Load (Lift Point Height) | MINIMUM REACH | | | 5 ft (1.5 m) | | 10 ft (3 m) | | 15 ft (4.5 m) | | 20 ft (6 m) | | 25 ft (7.5 m) | | MAXIMUM REACH | | |
|--------------------------|---------------------|------------------------|------------------------|------------------------|------------------------|------------------------|------------------------|------------------------|-----------------------|------------------------|-----------------------|-----------------------|-----------------------|---------------------|-----------------------|-----------------------|
| | @ | END | SIDE | END | SIDE | END | SIDE | END | SIDE | END | SIDE | END | SIDE | @ | END | SIDE |
| +25 ft (7.5 m) | 11 ft 1 in (3.43 m) | 3,900 lb* (1 850 kg)* | 3,900 lb* (1 850 kg)* | | | | | 4,850 lb* (2 380 kg)* | 4,850 lb* (2 380 kg)* | | | | | 16 ft 8 in (5.24 m) | 2,950 lb* (1 310 kg)* | 2,950 lb* (1 310 kg)* |
| +20 ft (6 m) | 12 ft 1 in (3.68 m) | 7,100 lb* (3 250 kg)* | 7,100 lb* (3 250 kg)* | | | | | 6,350 lb* (2 980 kg)* | 6,350 lb* (2 980 kg)* | 4,800 lb* (2 340 kg)* | 4,800 lb* (2 340 kg)* | | | 21 ft 9 in (6.70 m) | 2,450 lb* (1 110 kg)* | 2,450 lb* (1 110 kg)* |
| +15 ft (4.5 m) | 10 ft 7 in (3.18 m) | 8,050 lb* (3 680 kg)* | 8,050 lb* (3 680 kg)* | | | | | 8,050 lb* (3 710 kg)* | 8,050 lb* (3 710 kg)* | 6,400 lb* (2 950 kg)* | 5,500 lb* (2 560 kg)* | 2,447 lb* (1 110 kg)* | 2,447 lb* (1 110 kg)* | 24 ft 7 in (7.52 m) | 2,350 lb* (1 050 kg)* | 2,350 lb* (1 050 kg)* |
| +10 ft (3 m) | 4 ft 10 in (1.53 m) | 16,300 lb* (8 850 kg)* | 16,300 lb* (8 850 kg)* | 28,250 lb* (12 814 kg) | 28,250 lb* (12 814 kg) | 15,650 lb* (7 270 kg)* | 15,650 lb* (7 270 kg)* | 11,450 lb* (5 280 kg)* | 8,450 lb* (3 920 kg)* | 8,300 lb* (3 880 kg)* | 5,300 lb* (2 450 kg)* | 4,500 lb* (2 320 kg)* | 3,550 lb* (1 660 kg) | 26 ft 0 in (7.92 m) | 2,350 lb* (1 080 kg)* | 2,350 lb* (1 080 kg)* |
| +5 ft (1.5 m) | 7 ft 1 in (2.15 m) | 8,050 lb* (3 620 kg)* | 8,050 lb* (3 620 kg)* | | | 21,350 lb* (9 820 kg)* | 15,000 lb* (6 970 kg) | 13,750 lb* (6 350 kg)* | 7,900 lb* (3 670 kg) | 10,300 lb* (4 750 kg)* | 5,000 lb* (2 330 kg) | 5,450 lb* (2 780 kg)* | 3,450 lb* (1 610 kg) | 26 ft 3 in (8.00 m) | 2,450 lb* (1 120 kg)* | 2,450 lb* (1 120 kg)* |
| Groundline | 4 ft 8 in (1.43 m) | 5,800 lb* (2 630 kg)* | 5,800 lb* (2 630 kg)* | 6,200 lb* (2 770 kg)* | 6,200 lb* (2 770 kg)* | 19,250 lb* (8 750 kg)* | 14,000 lb* (6 510 kg) | 14,650 lb* (6 760 kg)* | 7,450 lb* (3 460 kg) | 10,600 lb* (4 890 kg)* | 4,800 lb* (2 230 kg) | 4,450 lb* (2 490 kg)* | 3,350 lb* (1 570 kg) | 25 ft 6 in (7.77 m) | 2,750 lb* (1 250 kg)* | 2,750 lb* (1 250 kg)* |
| -5 ft (-1.5 m) | 0 ft 9 in (0.24 m) | 8,000 lb* (3 590 kg)* | 8,000 lb* (3 590 kg)* | 11,500 lb* (5 170 kg)* | 11,500 lb* (5 170 kg)* | 21,350 lb* (9 630 kg)* | 13,850 lb* (6 460 kg) | 14,150 lb* (6 550 kg)* | 7,250 lb* (3 370 kg) | 10,050 lb* (4 660 kg)* | 4,700 lb* (2 190 kg) | | | 23 ft 8 in (7.22 m) | 3,350 lb* (1 510 kg)* | 3,350 lb* (1 510 kg)* |
| -10 ft (-3 m) | 1 ft 7 in (0.46 m) | 13,000 lb* (5 810 kg)* | 13,000 lb* (5 810 kg)* | 18,250 lb* (8 110 kg)* | 18,250 lb* (8 110 kg)* | 17,250 lb* (8 000 kg)* | 14,100 lb* (6 580 kg) | 11,750 lb* (5 490 kg)* | 7,350 lb* (3 420 kg) | 6,750 lb* (3 530 kg)* | 4,800 lb* (2 250 kg) | | | 20 ft 5 in (6.26 m) | 4,650 lb* (2 070 kg)* | 4,650 lb* (2 070 kg)* |
| -15 ft (-4.5 m) | 6 ft 3 in (1.77 m) | 11,650 lb* (5 760 kg)* | 11,650 lb* (5 760 kg)* | | | 9,350 lb* (4 530 kg)* | 9,350 lb* (4 530 kg)* | 5,000 lb* (2 670 kg)* | 5,000 lb* (2 670 kg)* | | | | | 15 ft 1 in (4.69 m) | 4,700 lb* (2 220 kg)* | 4,700 lb* (2 220 kg)* |

9 ft 10 in (3.01 m) Arm Lift capacities calculated using a 750 lb (340 kg) bucket, 7,860 lb (3 570 kg) counterweight with dozer blade on ground.

| Load (Lift Point Height) | MINIMUM REACH | | | 0 ft (0 m) | | 5 ft (1.5 m) | | 10 ft (3 m) | | 15 ft (4.5 m) | | 20 ft (6 m) | | 25 ft (7.5 m) | | MAXIMUM REACH | | |
|--------------------------|----------------------|------------------------|------------------------|------------------------|------------------------|------------------------|------------------------|------------------------|------------------------|------------------------|-----------------------|------------------------|-----------------------|-----------------------|----------------------|---------------------|-----------------------|-----------------------|
| | @ | END | SIDE | END | SIDE | END | SIDE | END | SIDE | END | SIDE | END | SIDE | END | SIDE | @ | END | SIDE |
| +25 ft (7.5 m) | 12 ft 10 in (3.95 m) | 4,400 lb* (2 080 kg)* | 4,400 lb* (2 080 kg)* | | | | | | | 5,150 lb* (2 350 kg)* | 5,150 lb* (2 350 kg)* | | | | | 19 ft 1 in (5.96 m) | 2,850 lb* (1 280 kg)* | 2,850 lb* (1 280 kg)* |
| +20 ft (6 m) | 13 ft 9 in (4.18 m) | 6,150 lb* (2 800 kg)* | 6,150 lb* (2 800 kg)* | | | | | | | 6,000 lb* (2 760 kg)* | 6,000 lb* (2 760 kg)* | 4,950 lb* (2 300 kg)* | 4,950 lb* (2 300 kg)* | | | 23 ft 7 in (7.25 m) | 2,500 lb* (1 120 kg)* | 2,500 lb* (1 120 kg)* |
| +15 ft (4.5 m) | 12 ft 6 in (3.76 m) | 6,550 lb* (2 990 kg)* | 6,550 lb* (2 990 kg)* | | | | | | | 6,750 lb* (3 090 kg)* | 6,750 lb* (3 090 kg)* | 5,800 lb* (2 740 kg)* | 5,600 lb* (2 610 kg)* | 4,000 lb* (2 000 kg)* | 3,750 lb* (1 750 kg) | 26 ft 2 in (8.00 m) | 2,400 lb* (1 080 kg)* | 2,400 lb* (1 080 kg)* |
| +10 ft (3 m) | 7 ft 1 in (2.04 m) | 9,650 lb* (4 610 kg)* | 9,650 lb* (4 610 kg)* | | | | | 9,900 lb* (4 640 kg)* | 9,900 lb* (4 640 kg)* | 9,200 lb* (4 280 kg)* | 8,550 lb* (3 980 kg) | 7,550 lb* (3 510 kg)* | 5,400 lb* (2 510 kg) | 5,400 lb* (2 510 kg) | 3,650 lb* (1 700 kg) | 27 ft 6 in (8.38 m) | 2,400 lb* (1 080 kg)* | 2,400 lb* (1 080 kg)* |
| +5 ft (1.5 m) | 6 ft 10 in (2.08 m) | 8,300 lb* (3 800 kg)* | 8,300 lb* (3 800 kg)* | | | | | 19,450 lb* (8 950 kg)* | 15,400 lb* (7 170 kg) | 13,050 lb* (6 020 kg)* | 8,050 lb* (3 730 kg) | 9,950 lb* (4 590 kg)* | 5,100 lb* (2 370 kg) | 6,400 lb* (3 080 kg)* | 3,500 lb* (1 630 kg) | 27 ft 9 in (8.46 m) | 2,500 lb* (1 150 kg)* | 2,500 lb* (1 150 kg)* |
| Groundline | 4 ft 4 in (1.32 m) | 5,650 lb* (2 560 kg)* | 5,650 lb* (2 560 kg)* | | | 6,350 lb* (2 840 kg)* | 6,350 lb* (2 840 kg)* | 22,300 lb* (9 660 kg)* | 14,050 lb* (6 540 kg) | 14,450 lb* (6 670 kg)* | 7,500 lb* (3 480 kg) | 10,500 lb* (4 860 kg)* | 4,850 lb* (2 240 kg) | 6,700 lb* (3 290 kg)* | 3,400 lb* (1 570 kg) | 27 ft 1 in (8.24 m) | 2,800 lb* (1 270 kg)* | 2,800 lb* (1 270 kg)* |
| -5 ft (-1.5 m) | 0 ft 0 in (0.00 m) | 8,650 lb* (3 900 kg)* | 8,650 lb* (3 900 kg)* | 8,600 lb* (3 900 kg)* | 8,600 lb* (3 900 kg)* | 10,550 lb* (4 730 kg)* | 10,550 lb* (4 730 kg)* | 21,600 lb* (9 440 kg)* | 13,650 lb* (6 370 kg) | 14,350 lb* (6 640 kg)* | 7,200 lb* (3 340 kg) | 10,300 lb* (4 770 kg)* | 4,650 lb* (2 170 kg) | 4,250 lb* (2 430 kg)* | 3,350 lb* (1 550 kg) | 25 ft 4 in (7.72 m) | 3,350 lb* (1 500 kg)* | 3,250 lb* (1 480 kg) |
| -10 ft (-3 m) | 0 ft 0 in (0.00 m) | 11,400 lb* (5 160 kg)* | 11,400 lb* (5 160 kg)* | 11,400 lb* (5 160 kg)* | 11,400 lb* (5 160 kg)* | 15,650 lb* (6 940 kg)* | 15,650 lb* (6 940 kg)* | 18,950 lb* (8 780 kg)* | 13,900 lb* (6 430 kg) | 12,750 lb* (5 920 kg)* | 7,250 lb* (3 360 kg) | 8,700 lb* (4 100 kg)* | 4,750 lb* (2 190 kg) | | | 22 ft 4 in (6.84 m) | 4,400 lb* (1 970 kg)* | 4,000 lb* (1 800 kg) |
| -15 ft (-4.5 m) | 3 ft 3 in (0.91 m) | 18,950 lb* (8 240 kg)* | 18,950 lb* (8 240 kg)* | | | 19,350 lb* (9 240 kg)* | 19,350 lb* (9 240 kg)* | 12,550 lb* (5 950 kg)* | 12,550 lb* (5 950 kg)* | 8,200 lb* (3 960 kg)* | 7,350 lb* (3 430 kg)* | | | | | 17 ft 6 in (5.42 m) | 5,300 lb* (2 440 kg)* | 5,300 lb* (2 440 kg)* |

6 ft 11 in (2.11 m) Arm Lift capacities calculated using a 900 lb (410 kg) bucket, 7,860 lb (3 570 kg) counterweight with dozer blade on ground.

| Load (Lift Point Height) | MINIMUM REACH | | | 5 ft (1.5 m) | | 10 ft (3 m) | | 15 ft (4.5 m) | | 20 ft (6 m) | | 25 ft (7.5 m) | | MAXIMUM REACH | | | | |
|--------------------------|---------------------|------------------------|------------------------|------------------------|------------------------|------------------------|-----------------------|-------------------------|------------------------|------------------------|-----------------------|------------------------|----------------------|-----------------------|-----------------------|-----------------------|-----------------------|-----------------------|
| | @ | END | SIDE | END | SIDE | END | SIDE | END | SIDE | END | SIDE | END | SIDE | @ | END | SIDE | | |
| +25 ft (7.5 m) | 9 ft 8 in (3.01 m) | 3,500 lb* (1 670 kg)* | 3,500 lb* (1 670 kg)* | | | 3,800 lb* (1 724 kg) | 3,800 lb* (1 724 kg) | | | | | | | 14 ft 7 in (4.63 m) | 3,650 lb* (1 620 kg)* | 3,650 lb* (1 620 kg)* | | |
| +20 ft (6 m) | 10 ft 10 in (3.3 m) | 7,350 lb* (3 520 kg)* | 7,350 lb* (3 520 kg)* | | | | | 6,900 lb* (3 210 kg)* | 6,900 lb* (3 210 kg)* | 3,800 lb* (2 190 kg)* | 3,800 lb* (2 190 kg)* | | | 20 ft 4 in (6.26 m) | 3,000 lb* (1 350 kg)* | 3,000 lb* (1 350 kg)* | | |
| +15 ft (4.5 m) | 8 ft 3 in (2.46 m) | 5,500 lb* (2 450 kg)* | 5,500 lb* (2 450 kg)* | | | | | 10,000 lb* (4 600 kg)* | 10,000 lb* (4 600 kg)* | 9,450 lb* (4 390 kg)* | 8,650 lb* (4 020 kg) | 7,150 lb* (3 340 kg)* | 5,350 lb* (2 500 kg) | 23 ft 4 in (7.14 m) | 2,800 lb* (1 260 kg)* | 2,800 lb* (1 260 kg)* | | |
| +10 ft (3 m) | 6 ft 3 in (1.94 m) | 14,450 lb* (6 550 kg)* | 14,450 lb* (6 550 kg)* | | | | | 17,400 lb* (8 050 kg)* | 16,200 lb* (7 520 kg) | 12,050 lb* (5 560 kg)* | 8,250 lb* (3 830 kg) | 9,450 lb* (4 410 kg)* | 5,150 lb* (2 400 kg) | 3,594 lb* (1 630 kg)* | 3,109 lb* (1 610 kg) | 24 ft 10 in (7.57 m) | 2,800 lb* (1 260 kg)* | 2,800 lb* (1 260 kg)* |
| +5 ft (1.5 m) | 8 ft 1 in (2.46 m) | 8,700 lb* (3 910 kg)* | 8,700 lb* (3 910 kg)* | | | | | 21,600 lb* (10 000 kg)* | 14,500 lb* (6 750 kg) | 14,050 lb* (6 510 kg)* | 7,700 lb* (3 580 kg) | 10,400 lb* (4 800 kg)* | 4,900 lb* (2 280 kg) | 3,350 lb* (2 180 kg)* | 3,350 lb* (1 580 kg) | 25 ft 1 in (7.65 m) | 2,950 lb* (1 330 kg)* | 2,950 lb* (1 330 kg)* |
| Groundline | 6 ft 2 in (1.87 m) | 6,750 lb* (3 050 kg)* | 6,750 lb* (3 050 kg)* | | | | | 17,600 lb* (7 940 kg)* | 13,700 lb* (6 370 kg) | 14,550 lb* (6 720 kg)* | 7,300 lb* (3 400 kg) | 10,500 lb* (4 850 kg)* | 4,700 lb* (2 190 kg) | | | 24 ft 4 in (7.41 m) | 3,300 lb* (1 490 kg)* | 3,300 lb* (1 490 kg)* |
| -5 ft (-1.5 m) | 2 ft 1 in (0.63 m) | 8,850 lb* (3 970 kg)* | 8,850 lb* (3 970 kg)* | 12,450 lb* (5 600 kg)* | 12,450 lb* (5 600 kg)* | 20,300 lb* (9 350 kg)* | 13,800 lb* (6 440 kg) | 13,700 lb* (6 340 kg)* | 7,200 lb* (3 350 kg) | 9,550 lb* (4 450 kg)* | 4,700 lb* (2 170 kg) | | | 22 ft 4 in (6.82 m) | 4,000 lb* (1 810 kg)* | 3,950 lb* (1 800 kg) | | |
| -10 ft (-3 m) | 3 ft 0 in (0.89 m) | 15,850 lb* (7 030 kg)* | 15,850 lb* (7 030 kg)* | 18,750 lb* (8 340 kg)* | 18,750 lb* (8 340 kg)* | 15,400 lb* (7 170 kg)* | 13,950 lb* (6 500 kg) | 10,600 lb* (4 980 kg)* | 7,400 lb* (3 430 kg) | | | | | 18 ft 11 in (5.8 m) | 5,700 lb* (2 520 kg)* | 5,200 lb* (2 340 kg) | | |
| -15 ft (-4.5 m) | 9 ft 6 in (2.9 m) | 6,945 lb* (3 150 kg)* | 6,945 lb* (3 150 kg)* | | | 6,790 lb* (3 080 kg)* | 6,790 lb* (3 080 kg)* | | | | | | | 12 ft 5 in (3.79 m) | 4,982 lb* (2 260 kg)* | 4,982 lb* (2 260 kg)* | | |

NOTE: *Following number indicates hydraulic capacity

STANDARD EQUIPMENT

ENGINE

Isuzu four-cylinder turbo-charged diesel
Tier 4 Final – CEGR, DOC, SCR
Electronic fuel injection
High pressure common rail system
Diesel Oxidation Catalyst System (DOC)
Neutral safety start
Auto-engine warm up
Glow-plug pre-heat
EPF (Engine Protection Feature)
Dual-stage fuel filtration
Dual element air filter
Remote oil filter
Green plug oil drain
500-hour engine oil change interval
24-volt system
Requires CJ-4 engine oil
Requires ultra low-sulfur fuel

FUEL ECONOMY SYSTEMS

Engine Idle/Fuel Economy System:
Auto-idle
One-touch idle
Auto-idle shut-down
BEC – Boom Economy Control
AEC – Auto Economy Control
SWC – Swing Relief Control
SSC – Spool Stroke Control

HYDRAULICS

Auto power boost
Auto swing priority
Auto travel speed change
Selectable work modes
ISO pattern controls
Pre-set auxiliary pump settings
Auxiliary valve
5,000-hour hydraulic oil change interval
1,000-hour hydraulic filter change interval
SAHR brake
Free Swing
Control Pattern Selector

OPTIONAL EQUIPMENT

HYDRAULICS

Auxiliary hydraulics:
Single acting/joystick activated
Double acting/joystick activated
Multi-function/joystick activated
Secondary low-flow/joystick activated

MACHINE CONTROL

Leica iCON iXE2 – 2D System
Leica iCON iXE3 – 3D System

UPPER STRUCTURE

Right and left side mirrors
Isolation mounted cab (fluid and spring)
Common key vandal locks
Upper mounted work light (70 watt)
Swivel guard belly pan

ATTACHMENTS

Boom – 15 ft 2 in (4.63 m)
Arm – 8 ft 2 in (2.50 m)
Heavy-duty bucket linkage
Boom mounted work light (70 watt)
Auxiliary pipe brackets
Centralized grease fittings
Attachment cushion valve
Foldable hand rails
Arm and boom regeneration

OPERATOR ENVIRONMENT

ROPS protection
FOPS cab top guard (Level 1)
Pressurized cab
One-touch lock front window
AC/heat/defrost with auto climate control
Color monitor – 7 in (180 mm)
Interior dome light
Air-suspension seat (cloth)
Seatbelt – 3 in (76 mm)
Adjustable armrests
Tilting consoles – 4-position
Low-effort joystick controls
Sliding cockpit – 7 in (180 mm)
Straight travel
AM/FM Radio with Bluetooth, antenna
and two speakers
Aux-in port for personal electronics
Rear-view camera
Anti-theft system (start code system)
Side view camera – right
Rubber floor mat
12-volt electric outlet

ATTACHMENTS

Standard arm – 9 ft 11 in (3.01 m)
Heavy-duty arm – 6 ft 10 in (2.11 m)
Coupler/Case multi-pin grabber
Buckets:
Heavy-duty
Extreme-duty
Load holding control
Hose Burst Check Valve (HBCV)

UNDERCARRIAGE

27.6 in (700 mm) steel shoes,
triple semi-grouser
20.0 in (500 mm) rubber shoes
Double track chain guides

24-volt cigarette lighter
External rearview mirrors
Windshield wiper/washer
Clear (polycarbonate) roof window
with sunshade
Cup holder
Storage compartments
On-board diagnostic system
Travel alarm with cancel switch
One key start and lock-up

UNDERCARRIAGE

23.6 in (600 mm) steel shoes,
triple grouser
Full overlap turntable bearing tub
Hydraulic track adjustment
X-pattern carbody

DOZER BLADE

Front dozer blade – 8 ft 6 in (2.59 m) width,
22 in (570 mm) height, comes with 23.6 in
(600 mm) steel shoes

TELEMATICS

CASE SiteWatch™ Telematics – includes
hardware and a 3-yr Advanced
data subscription

OPERATOR ENVIRONMENT

FOPS cab top guard (Level 2)
Front grill guard – 2 x 2 screen mesh
Front rock guard – vertical bars
(two piece)/OPG 1
Front rock guard – vertical bars
(fixed/one piece)/OPG 2
Vandal guard
Rain deflector
Sun visor
Side-view camera
Refueling pump

CaseCE.com

©2021 CNH Industrial America LLC. All rights reserved. CASE is a trademark registered in the United States and many other countries, owned by or licensed to CNH Industrial N.V., its subsidiaries or affiliates. CNH Industrial Capital is a trademark in the United States and many other countries, owned by or licensed to CNH Industrial N.V., its subsidiaries or affiliates. Printed in U.S.A. Contains 10% post-consumer fiber.

IMPORTANT: CASE Construction Equipment Inc. reserves the right to change these specifications without notice and without incurring any obligation relating to such change. Availability of some models and equipment builds vary according to the country in which the equipment is used. The illustrations and text may include optional equipment and accessories and may not include all standard equipment. Your CASE dealer/distributor will be able to give you details of the products and their specifications available in your area.



CASE Construction Equipment is biodiesel-friendly. NOTE: All engines meet current EPA emissions regulations. All specifications are stated in accordance with SAE Standards or Recommended Practices, where applicable.



Always read the Operator's Manual before operating any equipment. Inspect equipment before using it, and be sure it is operating properly. Follow the product safety signs and use any safety features provided.

Form No. CCE202106CX145DSRDB
Replaces Form No. CCE201807CX145DSRDB

CX145D SR DB

CASE
CONSTRUCTION

SINCE 1842

D SERIES EXCAVATORS



CX130D | CX145D SR | CX160D | CX210D | CX210D LR | CX245D SR | CX250D | CX250D LR
CX290D | CX300D | CX350D | CX350D LR | CX490D | CX500D | CX750D

HEAVYWEIGHT POWER MEETS ULTIMATE PRECISION.

Fast. Smooth. Responsive. CASE D Series excavators go toe-to-toe with any challenger in the industry thanks to extreme hydraulic power and precision — and one of the most comfortable and intuitive operator experiences in the field. We've heard it called the "industry's best kept secret." The secret is out — but we'll share it with you.

- + **Smooth and responsive controls**
- + **Extreme hydraulic power and precision**
- + **Comfortable and intuitive cab and workstation**
- + **Excellent fuel economy**
- + **Available with optional OEM-Fit 2D and 3D machine control technology***
- + **Optional Semi-Automatic 2D and 3D machine control solutions****
- + **Protected by CASE ProCare*****



*OEM-Fit machine control 2D & 3D systems are only available on the following new CASE D Series models: CX130D, CX145D SR, CX160D, CX210D, CX245D SR, CX250D, CX300D, CX350D

**Semi-Automatic machine control options are only available on the following new CASE D Series models: CX210D, CX250D, CX350D

***CASE ProCare comes standard on new heavy machine orders. See your dealer for details and availability.



CX130D



CX145D SR



CX160D



CX210D/CX210D LR



CX245D SR



CX250D/CX250D LR



CX290D



CX300D



CX350D/CX350D LR



CX490D



CX500D



CX750D



Learn more about our
new OEM-Fit machine
control solutions!



HOW WE GET IT DONE

CASE D Series excavators are feature rich and field proven. Here's how we stand out:

INTELLIGENT HYDRAULICS

So distinct it gets its own name: The CASE Intelligent Hydraulic System. It leverages the movement and momentum of the machine to achieve greater power and efficiency. The hydraulics are also extremely responsive, helping operators work fast cycle times with greater accuracy and precision.



HEAVY-DUTY DESIGN

We've built a robust machine to match the extreme power and strength of the hydraulics. The arm and boom of each excavator is built for greater durability and to support the added power of the machine. The undercarriage is also built with thicker steel and a single-slope design that reduces dirt accumulation and eases cleaning.



SWING MINIMALLY

Whether working on roadsides or up against buildings and structures, CASE delivers two minimum-swing-radius models — the CX145D SR and the CX245D SR — that give you conventional excavator power and performance in a footprint that gives you excellent jobsite versatility.

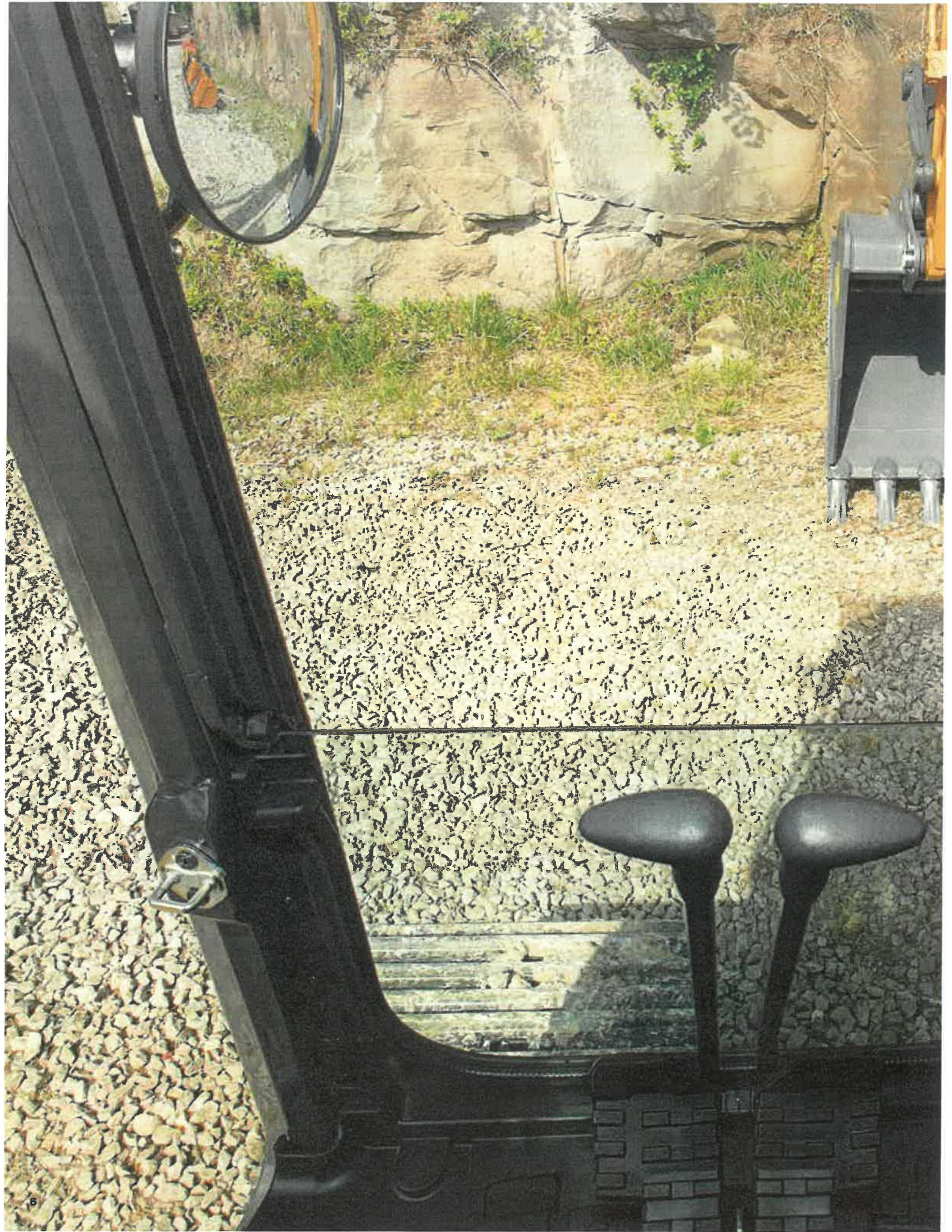


OEM-FIT PRECISION

CASE SiteControl 2D and 3D excavation solutions powered by Leica Geosystems are now available OEM-Fit on models CX130D through CX350D* — giving you the peace of mind that the system and the machine are optimally matched, and that it was installed and tested by the team that knows the equipment best: CASE.



*Excludes long reach (LR) models and CX290D Material Handler





EXTREME VISIBILITY
CASE D Series excavators provide standard rear- and side-view cameras, as well as the optional CASE Max View Monitor that provides 270-degree visibility for improved jobsite awareness and full visibility to the rear and both sides of the machine.



SUPERIOR CAB COMFORT COMES STANDARD



GREAT SPACE — TOTAL COMFORT

The D Series cushioning system lowers noise and vibration levels for the operator's ultimate comfort, providing ample legroom along with a spacious storage compartment and warm and cool box.



AN INTUITIVE COMMAND CENTER

An optically bonded, anti-glare 7-inch LCD multi-function monitor displays an abundant amount of machine operating data as well as setup and service-related screens. Press a button and get up-to-date information on fuel level, temperature and pressure valves. Another button provides information on hours and fuel usage for up to two trips.



EXPERIENCE THE AIR-RIDE DIFFERENCE

Operators who work up to a full day with few breaks need protection from shocks and vibrations in order to be more productive. With a wider cushion than a standard seat, wider armrests and adjustable height and backrest settings, there simply isn't a more comfortable seat to operate from in the industry.



THE ERGONOMIC WORKSTATION

Each D Series excavator features a fully adjustable operator station and an ergonomic armrest with joystick controls and easy-to-reach function switches that allow for smooth operation and performance.



SOUNDTRACK COMES STANDARD

The D Series cab comes equipped with an AM/FM Bluetooth radio, auxiliary port and controls, remote auxiliary USB connection and phone charger.



LIGHT IT UP

8 LED working lights positioned around the cab and boom provide over three times the brightness of halogen bulbs: two mounted on the front of the cab, two mounted on the rear, and one on each side, on the house, and on the boom.



STORIES FROM THE FIELD

Of course we're going to say nice things about our excavators. What your peers have to say is infinitely more important. Here are three job stories that show how CASE D Series excavators are getting it done for contractors like you in the field.

ROAD & BRIDGE



UTILITY





IMPROVE SPEED AND EFFICIENCY

FAST CYCLE TIMES

Fast cycle times are achieved through an electronically controlled pump, a larger control valve and multiple sensors. These features enhance the CASE Intelligent Hydraulic System and its integrated control systems to deliver excellent speed, responsiveness and precision.

TIER 4 FINAL SOLUTION PROVIDES SUPERIOR FUEL ECONOMY

Diesel affects everyone's bottom line. CASE excavators don't wastefully use fuel to control emissions in a diesel particulate filter. By using a combination of CEGR, DOC and Selective Catalytic Reduction (SCR) solutions, the emissions mandate is met without diesel particulate filters or regeneration.

3 POWER MODES

The CASE D Series offers 3 power modes to match different application needs, improve cycle times and maximize fuel economy:

- **Automatic (A):** The best balance between power, precision, and fuel efficiency, with Power Boost continuously engaged (recommended for most applications).
- **Heavy (H):** Increased RPM for faster cycle times in general loading.
- **Speed Priority (SP):** Maximum RPM and hydraulic flow providing the fastest cycle times and maximum flow for demanding attachments.

STANDARD FREE SWING

CASE D Series excavators are powerful and effective material handlers with standard Free Swing functionality for improved craning, laying and lifting of offset loads.

SITE DEVELOPMENT



MAINTENANCE MADE EASY

SERVICEABILITY IS IN OUR DNA

We make it simple. From ground-level site gauges to grouped service points, you can do daily maintenance in a matter of minutes. It's the easiest way to help you get the most performance and longest life out of your machine.

NO TOOLS NECESSARY

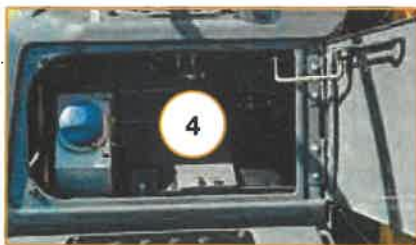
CASE excavators continue our hallmark of simple serviceability with features like tool-free access to routine maintenance points.

CASE EASY MAINTENANCE SYSTEM

CASE uses stratified bushings and plated pins on most pivot points, which holds grease longer, increases lubrication intervals and prevents rattling.

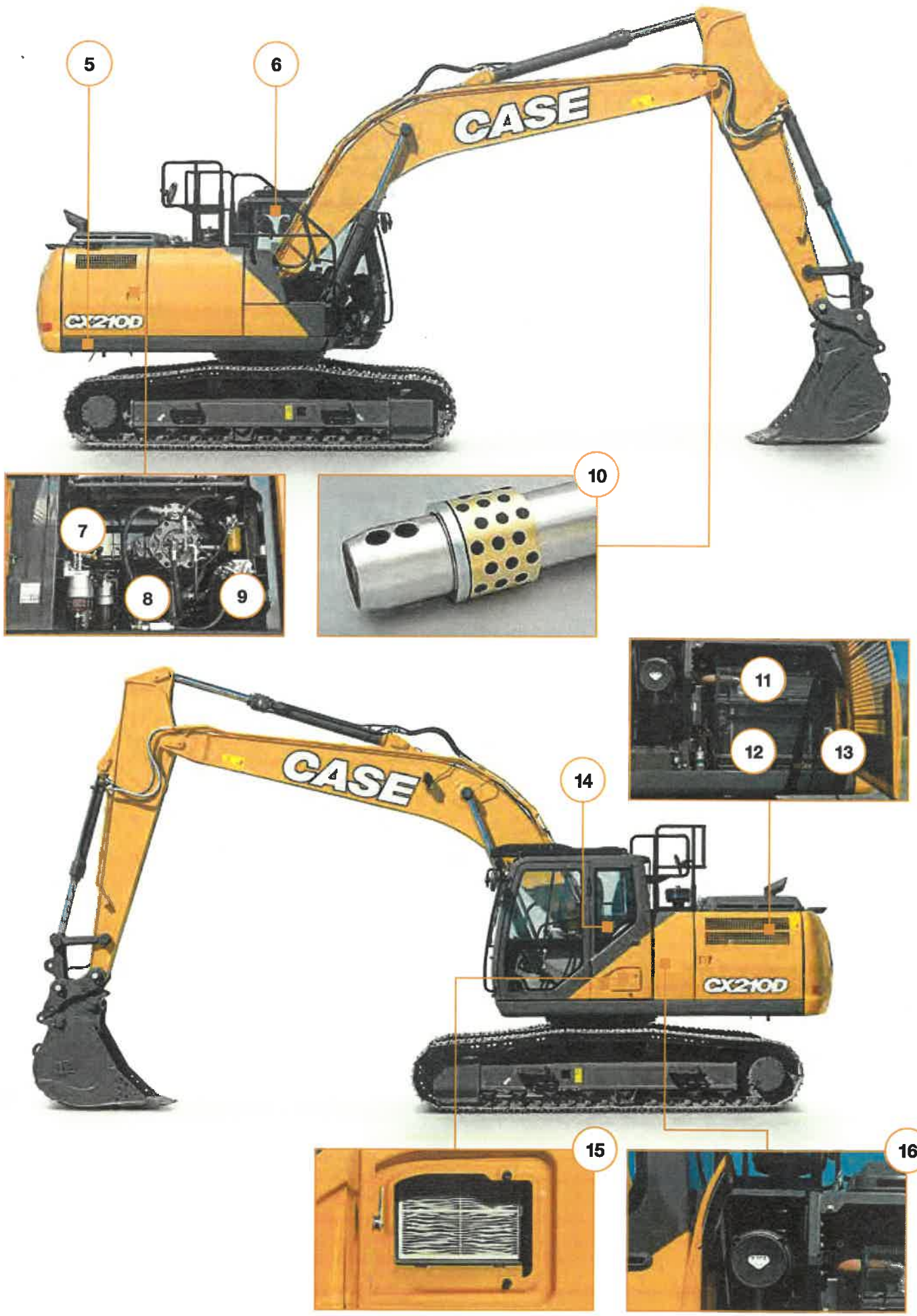
IMPRESSIVE SERVICE INTERVALS

- **Engine oil:** 500 hours
- **Boom & arm linkage pin grease:** 1,000 hours
- **Hydraulic oil:** 5,000 hours



EASY ACCESS TO EVERYTHING

- | | | | |
|------------------------|------------------------------|---|---------------------|
| ① Hydraulic fluid | ⑤ Green plug oil drain | ⑨ Engine oil filter | ⑬ Engine coolant |
| ② Hydraulic oil filter | ⑥ Grouped lubrication points | ⑩ Lubricated EMS bushings | ⑭ Fuse box |
| ③ Engine oil | ⑦ Fuel pre-filter | ⑪ Coolers with protective removable screens | ⑮ Cab air filter |
| ④ DEF fluid | ⑧ Oil sample ports | ⑫ Battery | ⑯ Engine air filter |



ATTACHED TO STRENGTH



*OEM-Fit machine control 2D & 3D systems are only available on the following new CASE D Series models: CX130D, CX145D SR, CX160D, CX210D, CX245D SR, CX250D, CX300D, CX350D

**Semi-Automatic machine control options are only available on the following new CASE D Series models: CX210D, CX250D, CX350D



SiteControl



Dig faster, more accurately and more confidently with CASE excavators matched with CASE SiteControl solutions powered by Leica Geosystems — including new OEM-Fit* and Semi-Automatic** options. You'll see immediate benefits, including lower total cost of ownership, less wear and tear on equipment, and improved labor and equipment utilization.

This includes:

- 1D Excavator Systems
- 2D Excavator Systems
- 3D Excavator Systems
- Optional OEM-Fit Systems*
- Optional Semi-Automatic Systems**



SiteWatch



REAL DATA. REAL ACTION.

CASE SiteWatch telematics empowers equipment owners and operators to make important decisions about their equipment and business based on current data. CASE SiteWatch has been enhanced with an all-new dashboard, more intuitive navigation and new overview sections that spotlight critical information without requiring the user to search extensively for the data.

FULL LINE OF CASE ATTACHMENTS

CASE offers bucket and hammer options to fit any application:

- General Purpose (STDP)
- Heavy Duty (HDP)
- Severe Duty (XPD)
- Ditching (DTCH)
- Frost Tooth
- High Capacity
- Rock
- Thumb
- Hydraulic Breaker



INTEGRATED HYDRAULIC QUICK COUPLER

Avoid the elements and downtime by quickly switching attachments from the comfort of the cab, thanks to an integrated hydraulic quick coupler.



SMARTFIT™ BUCKET TEETH

CASE excavator buckets come standard with the innovative SmartFit bucket tooth system. These heavy-duty, self-sharpening teeth combine exceptional strength and unmatched ease of installation, thanks to a hammerless fastener system with reusable locking pins. Available in a full range of styles.

Protected by
ProCare

FACTORY WARRANTY
PLANNED MAINTENANCE
TELEMATICS



**3-yr/3000-hr
Full-Machine Factory
Limited Warranty***
STANDARD



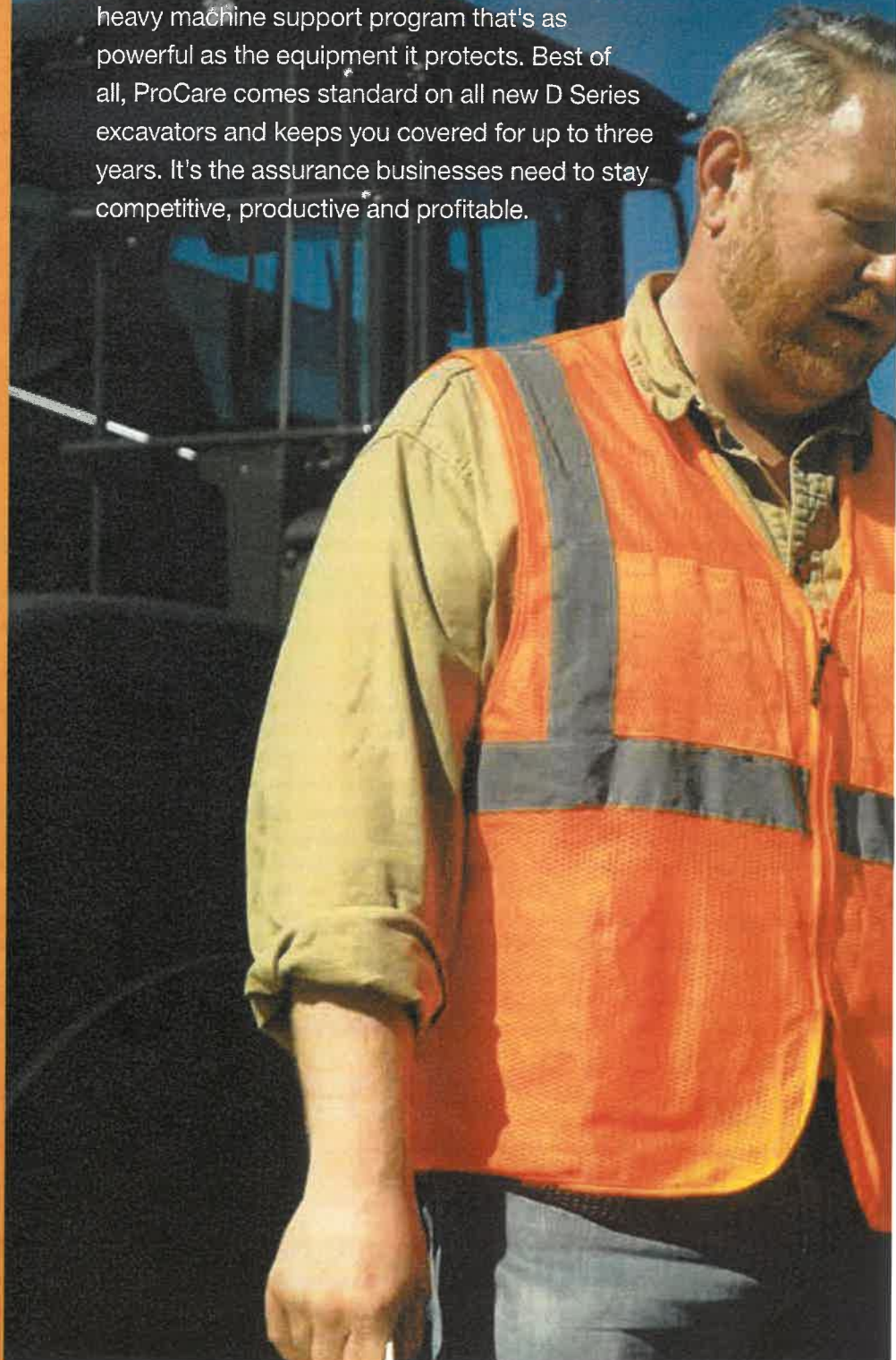
**3-yr/2000-hr
Planned Maintenance**
STANDARD



**3-yr
SiteWatch™ Subscription**
STANDARD

GO BIG, WE'VE GOT YOU COVERED

CASE ProCare is the industry's most comprehensive and standard-from-the-factory heavy machine support program that's as powerful as the equipment it protects. Best of all, ProCare comes standard on all new D Series excavators and keeps you covered for up to three years. It's the assurance businesses need to stay competitive, productive and profitable.





SUPPORT COMES STANDARD



STRONGER PRODUCT SUPPORT SOLUTIONS

Your CASE dealer knows how you can best maximize your equipment investment and uptime — with genuine CASE parts, expert service and a complete range of product support solutions including CASE remanufactured and all-makes parts. CASE supports better parts availability and faster deliveries through nine parts distribution centers in North America and a forecasting system to ensure that the right parts will be there when you need them. And only CASE dealers have exclusive access to the Electronic Service Tool (EST) that quickly pinpoints machine issues. Just ask your dealer for details.



FLEXIBLE FINANCIAL OPTIONS

Specialized finance programs and flexible leasing packages are available for industry-leading CASE equipment while no-nonsense warranties and comprehensive protection plans ensure that your equipment is protected. As the only finance company dedicated to CASE, we offer strong products and services designed around your unique service needs.

*See your dealer for the complete terms of CNH Industrial's Warranty and Limitations of Liability, which contains certain limits and exclusions. ProCare is a factory-fit program available on new heavy machine orders.

DIMENSIONS AND SPECIFICATIONS

| SPECIFICATIONS | CX130D LC | CX145D MSR | CX160D STD LC | CX210D STD LC | CX245D MSR |
|--|-----------------|-----------------|-----------------|-----------------|-----------------|
| Engine | Isuzu AR-4JJ1X | Isuzu AM-4JJ1X | Isuzu AR-4JJ1X | Isuzu AR-4HK1X | Isuzu AR-4HK1X |
| Engine Cylinders | 4 | 4 | 4 | 4 | 4 |
| Displacement – in³ (L) | 183 (3) | 183 (3) | 183 (3) | 317 (5.2) | 317 (5.2) |
| Net Horsepower – hp (kW) | 102 (76.4) | 102 (76.4) | 112 (83.2) | 160 (119.3) | 160 (119.3) |
| Torque – lbf-ft (N·m) | 257 (349) | 257 (349) | 257 (349) | 458 (621) | 458 (621) |
| Bucket Digging Force – lbf (kN) | 21,400 (95) | 21,400 (95) | 26,500 (118) | 34,621 (154) | 34,600 (154) |
| Arm Digging Force – lbf (kN) | 14,800 (66) | 14,800 (66) | 18,800 (84) | 25,179 (112) | 25,100 (112) |
| Operating Weight – lb (kg) | 29,100 (13 200) | 32,100 (14 600) | 38,400 (17 400) | 48,900 (22 200) | 56,900 (25 800) |
| Drawbar Pull – lbf (kN) | 26,100 (116) | 26,100 (116) | 36,100 (160) | 42,264 (188) | 45,000 (200) |
| Swing Speed – RPM | 14.3 | 12.5 | 11.5 | 11.5 | 11.5 |
| Travel Speed – mph (kph) | 3.5 (5.6) | 3.5 (5.6) | 3.4 (5.4) | 3.5 (5.6) | 3.1 (5.0) |

| DIMENSIONS | CX130D LC | CX145D MSR | CX160D STD LC | CX210D STD LC | CX245D MSR |
|--|------------------------|-----------------------|------------------------|------------------------|------------------------|
| Overall Height with Attachment | 9 ft 1 in (2 770 mm) | 9 ft 4 in (2 840 mm) | 9 ft 9 in (2 960 mm) | 9 ft 8 in (2 980 mm) | 10 ft 0 in (2 980 mm) |
| Cab Height | 9 ft 3 in (2 830 mm) | 9 ft 3 in (2 820 mm) | 9 ft 9 in (2 970 mm) | 9 ft 9 in (2 990 mm) | 10 ft 0 in (3 040 mm) |
| Overall Length with Attachment | 25 ft 1 in (7 650 mm) | 24 ft 1 in (7 350 mm) | 27 ft 9 in (8 460 mm) | 30 ft 9 in (9 430 mm) | 29 ft 0 in (8 830 mm) |
| Overall Length without Attachment | 13 ft 2 in (4 030 mm) | 12 ft 4 in (3 760 mm) | 14 ft 6 in (4 430 mm) | 16 ft 8 in (5 000 mm) | 14 ft 8 in (4 470 mm) |
| Width of Upper Structure | 8 ft 4 in (2 530 mm) | 8 ft 2 in (2 490 mm) | 8 ft 4 in (2 530 mm) | 9 ft 1 in (2 770 mm) | 9 ft 10 in (2 990 mm) |
| Track Overall Length | 12 ft 4 in (3 760 mm) | 12 ft 4 in (3 760 mm) | 13 ft 1 in (3 990 mm) | 14 ft 7 in (4 470 mm) | 14 ft 8 in (4 470 mm) |
| Track Overall Width | 8 ft 6 in (2 590 mm) | 8 ft 6 in (2 590 mm) | 8 ft 6 in (2 590 mm) | 10 ft 5 in (3 190 mm) | 10 ft 6 in (3 190 mm) |
| Track Shoe Width | 2 ft 0 in (600 mm) | 2 ft 0 in (600 mm) | 2 ft 0 in (600 mm) | 2 ft 2 in (800 mm) | 2 ft 7 in (800 mm) |
| Upper Structure Ground Clearance | 2 ft 11 in (895 mm) | 2 ft 11 in (880 mm) | 3 ft 4 in (1 020 mm) | 3 ft 4 in (1 050 mm) | 3 ft 4 in (1 020 mm) |
| Minimum Ground Clearance | 1 ft 5 in (420 mm) | 1 ft 5 in (440 mm) | 1 ft 5 in (420 mm) | 1 ft 4 in (440 mm) | 1 ft 5 in (440 mm) |
| Rear Tail Swing Radius | 7 ft 1 in (2 170 mm) | 5 ft 0 in (1 530 mm) | 8 ft 1 in (2 470 mm) | 9 ft 1 in (2 770 mm) | 6 ft 4 in (1 790 mm) |
| Maximum Digging Depth | 18 ft 3 in (5 550 mm) | 18 ft 1 in (5 510 mm) | 19 ft 11 in (6 080 mm) | 21 ft 7 in (6 620 mm) | 21 ft 10 in (6 650 mm) |
| Maximum Reach @ Ground Level | 26 ft 10 in (8 170 mm) | 26 ft 8 in (8 140 mm) | 29 ft 1 in (8 870 mm) | 31 ft 11 in (9 730 mm) | 31 ft 9 in (9 670 mm) |

Other Available Configurations



CX130D



CX145D SR



CX160D



CX210D/CX210D LR



CX245D



CX250D/CX250D LR

| CX250D STD | CX290D MH | CX300D STD | CX350D STD | CX490D STD | CX500D ME | CX750D STD |
|-----------------|-----------------|-----------------|-----------------|------------------|------------------|------------------|
| Isuzu AQ-4HK1X | Isuzu AQ-4HK1X | Isuzu AQ-6HK1X | Isuzu AQ-6HK1X | Isuzu AQ-6UZ1X | Isuzu AQ-6UZ1X | Isuzu AQ-6WG1X |
| 4 | 4 | 6 | 6 | 6 | 6 | 6 |
| 317 (5.2) | 317 (5.2) | 475 (7.8) | 475 (7.8) | 600 (9.8) | 600 (9.8) | 957 (15.6) |
| 177 (132.1) | 177 (132.1) | 207 (154) | 268 (200) | 362 (270) | 362 (270) | 512 (382) |
| 458 (621) | 458 (621) | 626 (849) | 728 (988) | 1,005 (1 363) | 1,005 (1 363) | 1,623 (2 200) |
| 39,566 (176) | – | 42,781 (190) | 56,157 (250) | 60,700 (270) | 70,400 (313) | 75,090 (334) |
| 29,225 (130) | – | 31,383 (140) | 40,196 (179) | 49,500 (220) | 60,000 (267) | 63,620 (283) |
| 56,909 (25 814) | 72,100 (32 700) | 67,271 (30 514) | 82,483 (37 414) | 109,300 (49 600) | 111,800 (50 700) | 158,300 (71 800) |
| 44,962 (200) | 44,100 (196) | 52,380 (233) | 61,373 (273) | 76,200 (339) | 76,000 (338) | 101,000 (449) |
| 10.6 | 11.0 | 10 | 9.7 | 9.1 | 9.1 | 6.7 |
| 3.4 (5.5) | 3.4 (5.5) | 3.4 (5.4) | 3.4 (5.5) | 3.3 (5.3) | 3.3 (5.3) | 2.7 (4.3) |

| CX250D STD | CX290D MH | CX300D STD | CX350D STD | CX490D STD | CX500D ME | CX750D STD |
|------------------------|------------------------|------------------------|------------------------|------------------------|------------------------|-------------------------|
| 10 ft 6 in (3 200 mm) | 10 ft 0 in (3 040 mm) | 11 ft 0 in (3 350 mm) | 11 ft 5 in (3 470 mm) | 12 ft 0 in (3 650 mm) | 12 ft 6 in (3 800 mm) | 14 ft 2 in (4 320 mm) |
| 10 ft 0 in (3 050 mm) | 10 ft 6 in (3 190 mm) | 10 ft 3 in (3 130 mm) | 10 ft 5 in (3 180 mm) | 10 ft 11 in (3 320 mm) | 10 ft 11 in (3 320 mm) | 11 ft 6 in (3 510 mm) |
| 32 ft 5 in (9 880 mm) | 33 ft 7 in (10 230 mm) | 34 ft 6 in (10 510 mm) | 36 ft 8 in (11 170 mm) | 39 ft 8 in (12 090 mm) | 38 ft 4 in (11 680 mm) | 43 ft 10 in (13 370 mm) |
| 17 ft 3 in (5 270 mm) | 17 ft 6 in (5 330 mm) | 18 ft 4 in (5 580 mm) | 19 ft 9 in (6 010 mm) | 21 ft 2 in (6 450 mm) | 21 ft 2 in (6 450 mm) | 22 ft 10 in (6 960 mm) |
| 9 ft 1 in (2 770 mm) | 9 ft 9 in (2 970 mm) | 9 ft 6 in (2 890 mm) | 9 ft 11 in (3 030 mm) | 10 ft 0 in (3 060 mm) | 10 ft 0 in (3 060 mm) | 12 ft 2 in (3 700 mm) |
| 15 ft 3 in (4 650 mm) | 15 ft 4 in (4 680 mm) | 15 ft 11 in (4 850 mm) | 16 ft 4 in (4 980 mm) | 17 ft 11 in (5 450 mm) | 17 ft 11 in (5 450 mm) | 19 ft 4 in (5 880 mm) |
| 11 ft 1 in (3 390 mm) | 10 ft 6 in (3 190 mm) | 11 ft 2 in (3 400 mm) | 11 ft 2 in (3 400 mm) | 12 ft 0 in (3 650 mm) | 12 ft 0 in (3 650 mm) | 13 ft 11 in (4 250 mm) |
| 2 ft 7 in (800 mm) | 2 ft 0 in (600 mm) | 2 ft 7 in (800 mm) | 2 ft 7 in (800 mm) | 2 ft 11 in (900 mm) | 2 ft 11 in (900 mm) | 2 ft 11 in (900 mm) |
| 3 ft 7 in (1 100 mm) | 3 ft 9 in (1 140 mm) | 3 ft 11 in (1 190 mm) | 4 ft 0 in (1 210 mm) | 4 ft 4 in (1 330 mm) | 4 ft 4 in (1 330 mm) | 4 ft 11 in (1 500 mm) |
| 1 ft 5 in (440 mm) | 1 ft 8 in (500 mm) | 1 ft 6 in (460 mm) | 1 ft 7 in (470 mm) | 1 ft 9 in (535 mm) | 1 ft 9 in (535 mm) | 2 ft 9 in (825 mm) |
| 9 ft 8 in (2 950 mm) | 9 ft 8 in (2 950 mm) | 10 ft 4 in (3 160 mm) | 11 ft 8 in (3 550 mm) | 12 ft 3 in (3 730 mm) | 12 ft 3 in (3 730 mm) | 13 ft 3 in (4 050 mm) |
| 22 ft 8 in (6 900 mm) | 11 ft 11 in (3 610 mm) | 23 ft 4 in (7 100 mm) | 24 ft 1 in (7 340 mm) | 25 ft 4 in (7 720 mm) | 21 ft 4 in (6 490 mm) | 27 ft 7 in (8 400 mm) |
| 33 ft 2 in (10 100 mm) | 37 ft 5 in (11 410 mm) | 34 ft 5 in (10 490 mm) | 36 ft 0 in (10 980 mm) | 38 ft 7 in (11 750 mm) | 34 ft 7 in (10 550 mm) | 42 ft 0 in (12 810 mm) |



BUILDING A STRONG CASE.

Since 1842, we at CASE Construction Equipment have lived by an unwavering commitment to build practical, intuitive solutions that deliver both efficiency and productivity.

We continually strive to make it easier for our customers to implement emerging technologies and new compliance mandates.

Today, our global scale combined with our local expertise enables us to keep customers' real-world challenges at the center of our product development. This focus has led to numerous innovations like Ride Control™, electro-hydraulic controls, Blade Shake, PowerLift™, over-center boom design and the peace of mind that only CASE ProCare provides.

Every CASE machine is backed by more than 300 North American dealer locations, thousands of OEM, remanufactured and all-makes parts, and flexible financing and insurance options that provide the kind of reliable, steadfast support you expect from a professional partner.

We are passionate about improving the lives of others, whether investing in our veterans or raising awareness about local infrastructure initiatives through Dire States. Our goal is to build both stronger machines — and stronger communities.

At the end of the day, we do what's right by our customers and our communities so that they can count on CASE.

CaseCE.com/DSeries

©2021 CNH Industrial America LLC. All rights reserved. CASE, CNH Industrial Capital and CNH Industrial Trademarks are registered in the United States and many other countries, owned by or licensed to CNH Industrial N.V., its subsidiaries or affiliates. Printed in U.S.A. Contains 10% post-consumer fiber.

Form No. CCE202107DEXC
Replaces Form No. CCE201811DEXC

IMPORTANT: CASE Construction Equipment Inc. reserves the right to change these specifications without notice and without incurring any obligation relating to such change. Availability of some models and equipment builds vary according to the country in which the equipment is used. The illustrations and text may include optional equipment and accessories and may not include all standard equipment. Your CASE dealer/distributor will be able to give you details of the products and their specifications available in your area.



CASE Construction Equipment is biodiesel-friendly.

NOTE: All engines meet current EPA emissions regulations. All specifications are stated in accordance with SAE Standards or Recommended Practices, where applicable.



Always read the Operator's Manual before operating equipment. Inspect equipment before using it, and be sure it is operating properly. Follow the product safety signs and use any safety features provided.



CNH Industrial America LLC
and CNH Industrial Canada, Ltd.

**WARRANTY AND LIMITATION OF LIABILITY AGREEMENT
HEAVY - CASE CONSTRUCTION EQUIPMENT**

STANDARD WARRANTY

The Case Warranty

The Case Warranty is a limited warranty that is provided to the initial retail purchaser in return for consideration paid as part of the purchase price of the product. The selling dealer is expected to review the warranty coverage with the initial retail purchaser and obtain his/her signature on this document.

New Limited Warranty

The warranty described here is from CNH Industrial America LLC and in Canada, CNH Industrial Canada Ltd., both of which are referred to in this agreement as "Case" for the Case Construction Brand. This warranty is for Case products sold and registered in the United States or Canada and normally operated in the United States or Canada. This warranty does NOT apply to any product normally operated outside of the United States and/or Canada, or to any unit purchased outside of the United States or Canada and imported in for any reason other than a customer relocation/personal move.

Warranty Period

For the products listed below, the Warranty Period for all coverage begins at the time that any person, dealer or agent first places the unit into service. At the latest, a unit is considered to be placed into service when purchased or delivered to an initial retail purchaser. Certain demonstration, rental, lease, and other used units may be eligible for a portion of a new unit warranty. The availability of the remaining portion of a new unit warranty does not mean that a unit is new or unused. The Warranty Period ends when either the month or machine hour limit is reached, whichever limit occurs first.

| CASE HEAVY PRODUCT | BASE WARRANTY | EXTENDED WARRANTY | Notes* |
|---|------------------------|--|---------------|
| COMPACTION EQUIPMENT - SINGLE OR DOUBLE DRUM Cummins / Deutz / Yanmar / Kubota Engines (Warranty through engine manufacturer) | 12 Mo. / Unlimited Hrs | 24 Mo. / 2000 Hrs | Notes 1 |
| WHEEL LOADERS (Case ProCare Coverage) Case Engine (Warranty through Case) | 12 Mo. / Unlimited Hrs | 36 Mo. / 3000 Hrs 24Mo. / 2000 Hrs | Notes 3, 4 |
| MOTOR GRADERS (Case ProCare Coverage) Case Engine (Warranty through Case) | 12 Mo. / Unlimited Hrs | 36 Mo. / 3000 Hrs 24 Mo. / 2000 Hrs | Notes 3, 4 |
| EXCAVATORS (Case ProCare Coverage) Isuzu Engines (Warranty through Case) | 12 Mo. / 1800 Hrs | 36 Mo. / 3000 Hrs 24 Mo. / 2000 Hrs | Notes 2, 3, 4 |
| CRAWLER DOZERS (Case ProCare Coverage) Case Engines (Warranty through Case) | 12 Mo. / Unlimited Hrs | 36 Mo. / 3000 Hrs 24 Mo. / 2000 Hrs | Notes 3, 4 |

- 1) Engine coverage is provided directly by the engine manufacturer.
- 2) Warranty does not cover any configuration excavator equipped with feller buncher/accumulator attachments
- 3) Units equipped with factory standard telematics are authorized for Case ProCare extended coverage for an additional 24 months / 3000 total machine hours, whichever comes first
- 4) Engine warranty coverage is provided through Case.

Operator's Manual / Warranty Receipt Verification

- YES / NO The selling dealer has reviewed the correct operator's manual with me and will provide the operator's manual upon delivery of the product.
- YES / NO The selling dealer has explained safety precautions to me.
- YES / NO The selling dealer has explained the warranty terms and coverage to me.
- YES / NO The selling dealer has explained Purchased Protection Plan options for additional coverage on select components.
- YES / NO Customer acknowledges that CNH Industrial America LLC/CNH Industrial Canada Ltd. may access and use diagnostic and telematics vehicle data for appropriate business purposes.

| | | | |
|--------------------------------|----------------|---------------|------------------|
| Model: | Serial Number: | Hours: | Ops man. Number: |
| Model: | Serial Number: | Hours: | Ops man. Number: |
| Model: | Serial Number: | Hours: | Ops man. Number: |
| Retail DATE: | | Usage: | |
| Purchaser Name (please print): | | Dealer Name: | |
| Address: | | Address: | |
| City / State: | | City / State: | |
| Zip code: | | Zip code: | |
| Phone Number: | | Phone Number: | |

The answers checked above are correct. I acknowledge that I have read and I accept this warranty policy statement.

Purchaser Signature _____ Date _____

Dealer Signature _____ Date _____

See page 2 for important limitations and exclusions

What's Covered

If a defect in material or workmanship is found in a unit and reported during the Warranty Period, Case will pay parts and labor costs to repair the defect if the services are performed by an authorized Case dealer at the dealer's location. If parts are needed during the repair, Case will, at its option, use genuine Case new or remanufactured parts. Case replacement parts that are used in a warranty repair are warranted until the end of the machine warranty or to the end of the Case Replacement Parts Warranty, whichever is longer.

CASE PROVIDES NO WARRANTY, EXPRESS OR IMPLIED, FOR A COMPONENT OR OTHER ITEM THAT IS SEPARATELY WARRANTED TO THE PURCHASER BY ITS MANUFACTURER, SUCH AS TIRES, BATTERIES AND FUEL INJECTION COMPONENTS. CHECK WITH YOUR DEALER FOR DETAILS

No Modification or Extension of Warranty Period

The Case Warranty is limited to the written terms in this document. Case does not authorize any person, dealer or agent to change or extend the terms of this warranty in any manner. Any assistance to the purchaser in the repair or operation of any Case product outside the terms or limitations or exclusions of this warranty will not constitute a waiver of the terms, limitations or exclusions of this warranty, nor will such assistance extend or re-establish the warranty.

EXCLUSIVE REMEDY

THE REMEDY OF REPAIRING A DEFECT IN MATERIALS OR WORKMANSHIP AT A CASE DEALERSHIP UNDER THE TERMS OF THIS WARRANTY IS THE PURCHASER'S EXCLUSIVE REMEDY AND IS IN LIEU OF ANY OTHER REMEDY OTHERWISE AVAILABLE.

This Warranty is Void If

The unit's hour meter is changed or altered, unless a Case dealer, at the direction of Case, changed the meter. If any unit component has been modified beyond specification. If the unit is modified or used in an application for which it is not designed, or the unit has been scrapped, salvaged, stolen, junked or totaled.

Limitation and Exclusions The Case Warranty gives you specific legal rights and you may also have other rights, which vary, from region to region.

THIS DOCUMENT CONTAINS THE ENTIRE CASE WARRANTY. CASE MAKES NO OTHER REPRESENTATIONS OR WARRANTIES, EXPRESS OR IMPLIED, AND SPECIFICALLY EXCLUDES THE IMPLIED WARRANTIES OF MERCHANTABILITY AND FITNESS FOR PARTICULAR PURPOSE. CASE WILL NOT BE LIABLE FOR INCIDENTAL OR CONSEQUENTIAL DAMAGES RESULTING FROM A BREACH OF THE WRITTEN WARRANTY OR ANY IMPLIED WARRANTY IMPOSED BY LAW.

Owner's Responsibility

The Case warranty remains in effect during the Warranty Period if the owner performs the required maintenance at the recommended intervals outlined in the product operator's manual and the unit is operated within its rated capacity. Genuine Case service parts or Case approved service parts that meet Case specifications must be used for maintenance and repair.

What's Not Covered

- Cost associated with performing pre-delivery or scheduled inspection service.
- Repairs arising from storage deterioration, failure to maintain the equipment, negligence, alteration, improper use of the equipment, collision or other accident, vandalism, or other casualty, or operation beyond rated capacity or specification.
- Repairs arising from abuse or neglect, including but not limited to: operation without adequate coolant or lubricants, adjustments to the fuel system outside equipment specifications, over-speeding, improper storage, starting, warm-up, or shutdown practices, incorrect fuel or contaminated fuel, oil or other fluids.
- Normal maintenance services, such as engine tune-ups, engine fuel system cleaning, checks, adjustments, shimming, etc.
- Replacement of non-defective wear items expected to be replaced during the warranty period, including but not limited to: light bulbs, spark plugs, ignition points, brake or clutch linings, slip clutches, belts, chains, knives, bucket cutting edges and teeth, crawler track pads and track components, crop processing and cutting components, external drive sprockets and chains, soil engaging tools and accessories.
- Items replaced due to customer demand.
- Labor charges performed by anyone except a dealer authorized by contract to repair the equipment, unless they qualify under special provisions (i.e.; outside labor).
- Any and all travel costs for items such as towing, service calls, or transporting a unit to and from the place where the warranty service is performed, unless specifically covered by a product improvement program or units classified as heavy and/or compaction products
- Claims involving loss or damage during shipment or handling, including units subsequently sold as a "salvage" unit.
- "Salvage" or other units sold on an "as is" basis, unless otherwise specified in writing at the time of sale.
- Normal maintenance costs, including but not limited to: lubricants, coolants, fluids, fuel, filters, and associated labor. Lubricants, filters, and coolants may qualify for warranty reimbursement if they require replacement as a DIRECT RESULT of a defect in material or workmanship.
- Claims involving the inspection or reconditioning of units after storage or prior use.
- Components or items that are separately warranted directly by the manufacturer including but are not limited to: tires, tracks, engines, transmissions, batteries, fuel injection pumps, fuel injectors, etc.
- Shop comebacks: any duplicate, repeat, or comeback repair resulting from improper diagnosis, testing, or service work. This also includes repairs arising from service performed by agents not approved by Case.
- Repairs arising from any unauthorized modification to the product or the use on non-CNH Industrial parts, implements, or attachments, including but not limited to performance changing (i.e., increasing horsepower or other modifications) and/or emissions defeating modifications.
- Removal, replacement, or installation of non-CNH Industrial optional equipment, attachments or components.
- Premiums charged for overtime labor costs or out of shop expenses.
- Economic loss including lost profits, crop loss, crop damages, equipment rental, contract delay, project expenses or other expenses or damages.
- Unauthorized modification or updating machines without a warrantable failure based on Service Bulletin information or production changes.
- Any and all costs of special tools
- Any and all costs of dealer shop supplies incurred with repairs, including but not limited to: solvents, cleaners, anti-seize lubricants, loctite, sealant, adhesive, oil-dry, shop towels, etc. Sealant or adhesive may qualify for warranty reimbursement in certain applications requiring a large volume of sealant/ adhesive.
- Failure of the machine, its implements or attachments caused by improper field application or loading.
- Any and all costs for coolant, fuel, or lube (oil) analysis including supplies and lab recommendations.
- Cost of initial setup or installation of any optional equipment or attachments to a unit.
- Cost associated with cleaning of machine in preparation for servicing

The signed WLL can be scanned and emailed as an attachment to NA-WLL-AGREEMENT@CNHIND.COM or can be mailed to:

USA mail original to CNH Industrial Capital America LLC, Attn: WLL Agreement, PO Box 1700 New Holland, PA 17557
USA Overnight courier mail original to CNH Industrial Capital America LLC, Attn: WLL Agreement, 500 Diller Ave., New Holland, PA 17557
Canada mail original to CNH Industrial Capital America LLC, Attn: WLL Agreement, 4475 North Service Rd, Suite 301, Burlington, ON L7L4X7 Canada

Case is a registered trademark in the United States and many other countries, owned by or licensed to CNH Industrial N.V., its subsidiaries or affiliates.