



**State of West Virginia
Agency Request for Quote
Equipment**

Proc Folder: 1200142			Reason for Modification:
Doc Description: Mini Excavator w/Attachments for Elk River Rail Trail			
Proc Type: Agency Purchase Order			
Date Issued	Solicitation Closes	Solicitation No	Version
2023-03-22	2023-04-18 13:30	ARFQ 0310 DNR2300000022	1

BID RECEIVING LOCATION

BID RESPONSE
 DIVISION OF NATURAL RESOURCES
 PROPERTY & PROCUREMENT OFFICE
 324 4TH AVE
 SOUTH CHARLESTON WV 25303-1228
 US

VENDOR

Vendor Customer Code:
Vendor Name: Leslie Equipment Co.
Address: 6248 Webster Road
Street:
City: Cowen
State: WV **Country:** US **Zip:** 26206
Principal Contact: Gary Bailes
Vendor Contact Phone: 304-651-8565 **Extension:**

FOR INFORMATION CONTACT THE BUYER
 James H Adkins
 (304) 558-3397
 jamie.h.adkins@wv.gov

Vendor Signature X *Johanna Miller* **FEIN#** 55.049-3180 **DATE** 4/13/2023

ADDITIONAL INFORMATION

The West Virginia Division of Natural Resources - Parks and Recreation Section is soliciting bids for the one-time purchase of a mini excavator with attachments delivered to Elk River Rail Trail located in Clay WV.

INVOICE TO		SHIP TO	
DIVISION OF NATURAL RESOURCES		DIVISION OF NATURAL RESOURCES	
ELK RIVER RAIL TRAIL		ELK RIVER RAIL TRAIL	
P.O. BOX 9		P.O. BOX 9	
CLAY WV		CLAY WV	
US		US	

Line	Comm Ln Desc	Qty	Unit Issue	Unit Price	Total Price
1	Diesel Mini Excavator	1.00000	EA	\$ 58,500.00	\$58,500.00

Comm Code	Manufacturer	Specification	Model #
22101526	John Deere		35G

Extended Description:
 3.1 Diesel Mini Excavator,
 Case Model CX37C
 or equal

INVOICE TO		SHIP TO	
DIVISION OF NATURAL RESOURCES		DIVISION OF NATURAL RESOURCES	
ELK RIVER RAIL TRAIL		ELK RIVER RAIL TRAIL	
P.O. BOX 9		P.O. BOX 9	
CLAY WV		CLAY WV	
US		US	

Line	Comm Ln Desc	Qty	Unit Issue	Unit Price	Total Price
2	24 inch Bucket with Teeth	1.00000	EA	\$ 1,250.00	\$1250.00

Comm Code	Manufacturer	Specification	Model #
22101702	Tag		24 Mexc 35G

Extended Description:
 3.2.1 24-inch Bucket with Teeth

INVOICE TO		SHIP TO	
DIVISION OF NATURAL RESOURCES		DIVISION OF NATURAL RESOURCES	
ELK RIVER RAIL TRAIL		ELK RIVER RAIL TRAIL	
P.O. BOX 9		P.O. BOX 9	
CLAY WV		CLAY WV	
US		US	

Line	Comm Ln Desc	Qty	Unit Issue	Unit Price	Total Price
3	36 inch Bucket with Smooth Lip for Ditching	1.00000	EA	\$ 2,100.00	\$ 2,100.00

Comm Code	Manufacturer	Specification	Model #
22101702	Tag		36 mexe 35G

Extended Description:
3.2.2 36 inch Bucket with Smooth Lip for Ditching

INVOICE TO		SHIP TO	
DIVISION OF NATURAL RESOURCES		DIVISION OF NATURAL RESOURCES	
ELK RIVER RAIL TRAIL		ELK RIVER RAIL TRAIL	
P.O. BOX 9		P.O. BOX 9	
CLAY WV		CLAY WV	
US		US	

Line	Comm Ln Desc	Qty	Unit Issue	Unit Price	Total Price
4	Hydraulic Thumb	1.00000	EA	\$ 2,100.00	\$ 2,100.00

Comm Code	Manufacturer	Specification	Model #
22101702	John Deere		BYT 11548

Extended Description:
3.2.3 Hydraulic Thumb

INVOICE TO		SHIP TO	
DIVISION OF NATURAL RESOURCES		DIVISION OF NATURAL RESOURCES	
ELK RIVER RAIL TRAIL		ELK RIVER RAIL TRAIL	
P.O. BOX 9		P.O. BOX 9	
CLAY WV		CLAY WV	
US		US	

Line	Comm Ln Desc	Qty	Unit Issue	Unit Price	Total Price
5	Brush Hog	1.00000	EA	\$6300.00	\$6,300.00

Comm Code	Manufacturer	Specification	Model #
21101701	Bushmaster		MX401-42SL

Extended Description:
3.2.4 Brush Hog

SCHEDULE OF EVENTS

<u>Line</u>	<u>Event</u>	<u>Event Date</u>
1	TECHNICAL QUESTION DEADLINE at 9 AM	2023-04-04

	Document Phase	Document Description	Page
DNR2300000022	FINAL	Mini Excavator w/Attachments for Elk River Rail Trail	5 \$ 70,250.00

ADDITIONAL TERMS AND CONDITIONS

See attached document(s) for additional Terms and Conditions

EXHIBIT A - PRICING PAGE

REQUEST FOR QUOTATION

West Virginia Division of Natural Resources - Parks and Recreation Section

Mini Excavator with Attachments for Elk River Rail Trail

Item No.	Description	Make & Model of Bid Item	Unit	Qty	Price*
3.1	Diesel Mini Excavator, Case Model CX37C or equal	John Deere 35G	EA	1	58,500.00
3.2 Mini Excavator Attachments:					
3.2.1	24 inch Bucket with Teeth	Tag 24 MexC35G	EA	1	1,250.00
3.2.2	36 inch Bucket with Smooth Lip for Ditching	Tag 36 MexC35G	EA	1	2,100.00
3.2.3	Hydraulic Thumb	John Deere BYT1154B	EA	1	2,100.00
3.2.4	Brush Hog	Bushmaster mx401-42SL	EA	1	6,300.00
TOTAL					70,250.00

*Price must include delivery fee to Elk River Rail Trail.

Leslie Equipment Co.
Vendor

Johnna L Mills
Authorized Signature

4/13/2023
Date

STATE OF WEST VIRGINIA
Purchasing Division

PURCHASING AFFIDAVIT

CONSTRUCTION CONTRACTS: Under W. Va. Code § 5-22-1(i), the contracting public entity shall not award a construction contract to any bidder that is known to be in default on any monetary obligation owed to the state or a political subdivision of the state, including, but not limited to, obligations related to payroll taxes, property taxes, sales and use taxes, fire service fees, or other fines or fees.

ALL CONTRACTS: Under W. Va. Code §5A-3-10a, no contract or renewal of any contract may be awarded by the state or any of its political subdivisions to any vendor or prospective vendor when the vendor or prospective vendor or a related party to the vendor or prospective vendor is a debtor and: (1) the debt owed is an amount greater than one thousand dollars in the aggregate; or (2) the debtor is in employer default.

EXCEPTION: The prohibition listed above does not apply where a vendor has contested any tax administered pursuant to chapter eleven of the W. Va. Code, workers' compensation premium, permit fee or environmental fee or assessment and the matter has not become final or where the vendor has entered into a payment plan or agreement and the vendor is not in default of any of the provisions of such plan or agreement.

DEFINITIONS:

"Debt" means any assessment, premium, penalty, fine, tax or other amount of money owed to the state or any of its political subdivisions because of a judgment, fine, permit violation, license assessment, defaulted workers' compensation premium, penalty or other assessment presently delinquent or due and required to be paid to the state or any of its political subdivisions, including any interest or additional penalties accrued thereon.

"Employer default" means having an outstanding balance or liability to the old fund or to the uninsured employers' fund or being in policy default, as defined in W. Va. Code § 23-2c-2, failure to maintain mandatory workers' compensation coverage, or failure to fully meet its obligations as a workers' compensation self-insured employer. An employer is not in employer default if it has entered into a repayment agreement with the Insurance Commissioner and remains in compliance with the obligations under the repayment agreement.

"Related party" means a party, whether an individual, corporation, partnership, association, limited liability company or any other form or business association or other entity whatsoever, related to any vendor by blood, marriage, ownership or contract through which the party has a relationship of ownership or other interest with the vendor so that the party will actually or by effect receive or control a portion of the benefit, profit or other consideration from performance of a vendor contract with the party receiving an amount that meets or exceeds five percent of the total contract amount.

AFFIRMATION: By signing this form, the vendor's authorized signer affirms and acknowledges under penalty of law for false swearing (W. Va. Code §61-5-3) that: (1) for construction contracts, the vendor is not in default on any monetary obligation owed to the state or a political subdivision of the state, and (2) for all other contracts, that neither vendor nor any related party owe a debt as defined above and that neither vendor nor any related party are in employer default as defined above, unless the debt or employer default is permitted under the exception above.

WITNESS THE FOLLOWING SIGNATURE:

Vendor's Name: Leslie Equipment Co.

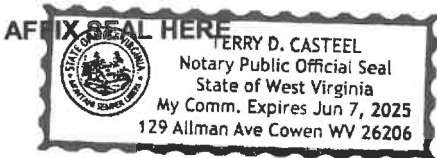
Authorized Signature: Gamma Miller Date: 4/13/2023

State of West Virginia

County of Webster, to-wit:

Taken, subscribed, and sworn to before me this 13 day of April, 2023.

My Commission expires June 7, 2025.



NOTARY PUBLIC Terry D. Casteel
Purchasing Affidavit (Revised 01/19/2018)

DESIGNATED CONTACT: Vendor appoints the individual identified in this Section as the Contract Administrator and the initial point of contact for matters relating to this Contract.

Gary Bailes, Salesperson
(Name, Title)

(Printed Name and Title)

6248 Webster Road Cowen WV 26206

(Address)

304 - 651 - 8565

(Phone Number) / (Fax Number)

bailes.gary@Lec1.com
(Email Address)

CERTIFICATION AND SIGNATURE: By signing below, or submitting documentation through wvOASIS, I certify that I have reviewed this Solicitation in its entirety; that I understand the requirements, terms and conditions, and other information contained herein; that this bid, offer or proposal constitutes an offer to the State that cannot be unilaterally withdrawn; that the product or service proposed meets the mandatory requirements contained in the Solicitation for that product or service, unless otherwise stated herein; that the Vendor accepts the terms and conditions contained in the Solicitation, unless otherwise stated herein; that I am submitting this bid, offer or proposal for review and consideration; that I am authorized by the vendor to execute and submit this bid, offer, or proposal, or any documents related thereto on vendor's behalf; that I am authorized to bind the vendor in a contractual relationship; and that to the best of my knowledge, the vendor has properly registered with any State agency that may require registration.

Leslie Equipment Company
(Company)

Johnna L Miller, Branch Manager
(Authorized Signature) (Representative Name, Title)

Johnna L Miller Branch Manager
(Printed Name and Title of Authorized Representative)

4/13/2023
(Date)

304-226-3299 304-226-3067
(Phone Number) (Fax Number)

ARFQ DNR23*22

Mini Excavator w/Attachments for Elk River Rail Trail

Addendum No. 01

Vendor Questions:

Q1: Are these cab units or open rops?

A1: Mini excavator must have a closed cab with windshield, heat, air conditioning, and an adjustable seat with seat belt and arm rests.

Q2: For attachments - Noticed it wasn't requested for mechanical quick coupler, was that an oversight or is it not wanted?

A2: Must have quick coupler auxiliary hydraulics capable of operating attachments.

Q3: Due to supply chain issues beyond our control, would you accept 90 to 120 days for delivery time?

A3: Delivery terms will now be within 90 days of receiving a purchase order. A 48-hour notice to the Agency is necessary for delivery. Contract Items must be delivered to Agency at:

Elk River Rail Trail
300 Center Street
Clay WV 25043

Q4: Will a standard guard for all hoses that go up the boom work for unit?

A4: Yes

Q5: Would a specific guard for exposed cylinder rod be required?

A5: No

Q6: Is the arm length minimum or maximum of 5 feet?

A6: Minimum 5 feet

Q7: Is max operating weight 9,000lbs with attachments?

A7: Max operating weight of 9000 lbs. without any attachments or counterweights.

Q8: Is max operating weight 9,000lbs with operator?

A8: Max operating weight of 9000 lbs. without any attachments or counterweights or operator.

Q9: Is max operating weight 9,000lbs with counterweights, blade?

A9: Max operating weight of 9000 lbs. without any attachments or counterweights.

Q10: Is max operating weight 9,000lbs solely machine standard weight?

A10: Max operating weight of 9000 lbs. without any attachments or counterweights.

Q11: Would you allow a maximum machine weight of 9,500lbs?

A11: Max operating weight of 9000 lbs. without any attachments or counterweights.

Q12: Will operator display include a travel speed gauge like a speedometer? That is not an industry standard.

A12: Should have a speedometer or travel speed gauge in some form.

Q13: Does zero-tail swing include counterweight?

A13: yes

Q14: Would 5 inch overhang with counterweight be allowed?

A14: Yes

Q15: Would 24 months/2,000 hours of minimum warranty coverage be allowed?

A15: Must include a minimum warranty coverage of 24 months/3000 hours.

ARFQ DNR23*22

Mini Excavator w/Attachments for Elk River Rail Trail

Addendum No. 02

Vendor Questions:

Q1: Do you have any specifications for the brush hog attachment that DNR is looking for on the mini excavator?

A1: We will accept any brand or size, but it must be new and fully compatible with the mini excavator provided per this solicitation.

ADDENDUM ACKNOWLEDGEMENT FORM
SOLICITATION NO.: ARFQ DNR23*22

Instructions: Please acknowledge receipt of all addenda issued with this solicitation by completing this addendum acknowledgment form. Check the box next to each addendum received and sign below. Failure to acknowledge addenda may result in bid disqualification.

Acknowledgment: I hereby acknowledge receipt of the following addenda and have made the necessary revisions to my proposal, plans and/or specification, etc.

Addendum Numbers Received:

(Check the box next to each addendum received)

- | | |
|--|--|
| <input checked="" type="checkbox"/> Addendum No. 1 | <input type="checkbox"/> Addendum No. 6 |
| <input checked="" type="checkbox"/> Addendum No. 2 | <input type="checkbox"/> Addendum No. 7 |
| <input type="checkbox"/> Addendum No. 3 | <input type="checkbox"/> Addendum No. 8 |
| <input type="checkbox"/> Addendum No. 4 | <input type="checkbox"/> Addendum No. 9 |
| <input type="checkbox"/> Addendum No. 5 | <input type="checkbox"/> Addendum No. 10 |

I understand that failure to confirm the receipt of addenda may be cause for rejection of this bid. I further understand that any verbal representation made or assumed to be made during any oral discussion held between Vendor's representatives and any state personnel is not binding. Only the information issued in writing and added to the specifications by an official addendum is binding.

Leslie Equipment Co.

Company

Johanna J. Miller

Authorized Signature

4 / 13 / 2023

Date

NOTE: This addendum acknowledgement should be submitted with the bid to expedite document processing.

CERTIFICATE OF LIABILITY INSURANCE

DATE (MM/DD/YYYY) 1/06/2022

THIS CERTIFICATE IS ISSUED AS A MATTER OF INFORMATION ONLY AND CONFERS NO RIGHTS UPON THE CERTIFICATE HOLDER. THIS CERTIFICATE DOES NOT AFFIRMATIVELY OR NEGATIVELY AMEND, EXTEND OR ALTER THE COVERAGE AFFORDED BY THE POLICIES BELOW. THIS CERTIFICATE OF INSURANCE DOES NOT CONSTITUTE A CONTRACT BETWEEN THE ISSUING INSURER(S), AUTHORIZED REPRESENTATIVE OR PRODUCER, AND THE CERTIFICATE HOLDER.

IMPORTANT: If the certificate holder is an ADDITIONAL INSURED, the policy(ies) must have ADDITIONAL INSURED provisions or be endorsed. If SUBROGATION IS WAIVED, subject to the terms and conditions of the policy, certain policies may require an endorsement. A statement on this certificate does not confer any rights to the certificate holder in lieu of such endorsement(s).

PRODUCER: USI Ins Svcs C/L Charleston, 1 Hillcrest Drive East, Charleston, WV 25311, 304 347-0611. CONTACT NAME: Sherry Hersman, PHONE: 304 347-0631, FAX: 304 347-0605, E-MAIL ADDRESS: Sherry.hersman@usi.com. INSURER(S) AFFORDING COVERAGE: Motorists Mutual Insurance Company, NAIC #: 14621.

COVERAGES CERTIFICATE NUMBER: REVISION NUMBER:

THIS IS TO CERTIFY THAT THE POLICIES OF INSURANCE LISTED BELOW HAVE BEEN ISSUED TO THE INSURED NAMED ABOVE FOR THE POLICY PERIOD INDICATED. NOTWITHSTANDING ANY REQUIREMENT, TERM OR CONDITION OF ANY CONTRACT OR OTHER DOCUMENT WITH RESPECT TO WHICH THIS CERTIFICATE MAY BE ISSUED OR MAY PERTAIN, THE INSURANCE AFFORDED BY THE POLICIES DESCRIBED HEREIN IS SUBJECT TO ALL THE TERMS, EXCLUSIONS AND CONDITIONS OF SUCH POLICIES. LIMITS SHOWN MAY HAVE BEEN REDUCED BY PAID CLAIMS.

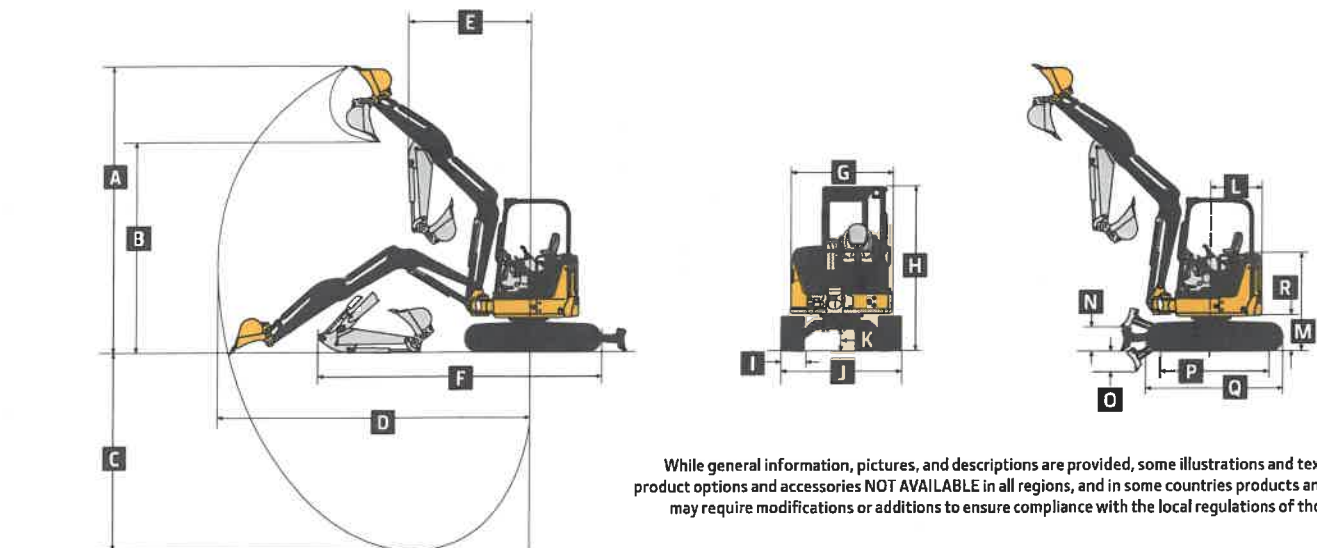
Table with columns: INSR LTR, TYPE OF INSURANCE, ADDL SUBR INSR, WVD, POLICY NUMBER, POLICY EFF (MM/DD/YYYY), POLICY EXP (MM/DD/YYYY), LIMITS. Rows include Commercial General Liability, Automobile Liability, Umbrella Liability, Workers Compensation and Employers' Liability, and Equipment Dealer Transportation Deductible.

DESCRIPTION OF OPERATIONS / LOCATIONS / VEHICLES (ACORD 101, Additional Remarks Schedule, may be attached if more space is required) The certificate holder is additional insured as respects to the commercial general liability and automobile liability policies. Primary and Non-Contributory language is applicable. Waiver of subrogation is granted.

CERTIFICATE HOLDER: West Virginia Adjutant General/WVANG/WVMA, 1707 Coonskin Drive, Charleston, WV 25311. CANCELLATION: SHOULD ANY OF THE ABOVE DESCRIBED POLICIES BE CANCELLED BEFORE THE EXPIRATION DATE THEREOF, NOTICE WILL BE DELIVERED IN ACCORDANCE WITH THE POLICY PROVISIONS. AUTHORIZED REPRESENTATIVE: James P. Crouse

35G COMPACT EXCAVATOR SPECIFICATIONS

Engine		35G	
Manufacturer and Model	Yanmar 3TNV88F	Displacement	1.642 L (100.2 cu. in.)
Non-Road Emission Standard	EPA Final Tier 4/EU Stage IV	Net Power (ISO 9249)	17.4 kW (23.3 hp) at 2,400 rpm
Powertrain			
Each track independently driven by hydrostatic axial-piston motor connected to 2-stage planetary gear-reduction box			
Maximum Travel Speed	Low: 2.8 km/h (1.7 mph) / High: 4.3 km/h (2.7 mph)		
Hydraulics			
Open center with 2 variable-displacement pumps and 1 fixed-gear pump			
Pump Flow			Controls
Piston	2 x 38.4 L/m (2 x 10.1 gpm)		2 hydraulic pilot-operated controls for boom, arm, bucket, swing, boom swing, travel, and auxiliary functions
Gear	22.8 L/m (6.0 gpm)		
Auxiliary Flow	61.2 L/m (16.2 gpm)		
Electrical			
Alternator Rating	55 amp		
Work Lights	2 halogen: 1 mounted on operator's station and 1 mounted on boom		
Undercarriage			
Track, Rubber	300 mm (12 in.)		
Ground Pressure			
	<i>1315-mm (4 ft. 4 in.) Standard Arm and Standard Counterweight</i>	<i>1715-mm (5 ft. 8 in.) Long Arm and Extra Counterweight</i>	
	<i>With Canopy</i>	<i>With Cab</i>	<i>With Canopy</i>
With Rubber Track	32.0 kPa (4.6 psi)	33.0 kPa (4.8 psi)	33.7 kPa (4.9 psi)
			<i>With Cab</i>
			35.2 kPa (5.1 psi)
Upperstructure			
Swing Speed	9.0 rpm		
Independent Swing Boom	<i>Canopy</i>	<i>Cab</i>	
Left	72 deg.	62 deg.	
Right	62 deg.	62 deg.	
Swing Brake	Spring applied, hydraulically released, automatic, disc type		
Serviceability			
Refill Capacities		Refill Capacities (continued)	
Fuel Tank	42 L (11.1 gal.)	Engine Oil With Filter	7.2 L (7.6 qt.)
Cooling System	5.0 L (5.3 qt.)	Hydraulic Tank	32 L (8.5 gal.)
Operating Weights			
	<i>1315-mm (4 ft. 4 in.) Standard Arm and Standard Counterweight</i>	<i>1715-mm (5 ft. 8 in.) Long Arm and Extra Counterweight</i>	
	<i>With Canopy</i>	<i>With Cab</i>	<i>With Canopy</i>
With Full Fuel Tank and 79-kg (175 lb.) Operator	3520 kg (7760 lb.)	3690 kg (8,135 lb.)	3783 kg (8,340 lb.)
Optional Angle Blade	296 kg (653 lb.)	296 kg (653 lb.)	296 kg (653 lb.)
Counterweight			
Standard	540 kg (1,190 lb.)	540 kg (1,190 lb.)	540 kg (1,190 lb.)
Additional	240 kg (529 lb.)	240 kg (529 lb.)	240 kg (529 lb.)
Operating Dimensions			
	<i>1315-mm (4 ft. 4 in.) Standard Arm and Canopy</i>	<i>1315-mm (4 ft. 4 in.) Standard Arm and Cab</i>	<i>1715-mm (5 ft. 8 in.) Long Arm and Canopy</i>
			<i>1715-mm (5 ft. 8 in.) Long Arm and Cab</i>
A Maximum Cutting Height	4.87 m (16 ft. 0 in.)	4.70 m (15 ft. 5 in.)	4.95 m (16 ft. 3 in.)
B Maximum Dumping Height	3.46 m (11 ft. 4 in.)	3.31 m (10 ft. 10 in.)	3.39 m (11 ft. 1 in.)
C Maximum Digging Depth	3.06 m (10 ft. 0 in.)	3.06 m (10 ft. 0 in.)	3.46 m (11 ft. 4 in.)
D Maximum Digging Reach	5.21 m (17 ft. 1 in.)	5.21 m (17 ft. 1 in.)	5.52 m (18 ft. 1 in.)
E Minimum Front Swing Radius	2.08 m (6 ft. 10 in.)	2.24 m (7 ft. 4 in.)	2.19 m (7 ft. 2 in.)
F Transport Length	4.64 m (15 ft. 3 in.)	4.64 m (15 ft. 3 in.)	4.75 m (15 ft. 7 in.)
Digging Force (ISO)			
Arm	19.0 kN (4,277 lb.)	19.0 kN (4,277 lb.)	16.9 kN (3,792 lb.)
Bucket	27.1 kN (6,085 lb.)	27.1 kN (6,085 lb.)	27.1 kN (6,085 lb.)



While general information, pictures, and descriptions are provided, some illustrations and text may include product options and accessories NOT AVAILABLE in all regions, and in some countries products and accessories may require modifications or additions to ensure compliance with the local regulations of those countries.

Machine Dimensions

(see line art at bottom right of page 6)

	35G		
G Upperstructure Width	1.55 m (5 ft. 1 in.)	M Engine Cover Height	1.53 m (5 ft. 0 in.)
H Overall Height		N Maximum Blade Lift Above Ground	360 mm (14.2 in.)
Canopy	2.48 m (8 ft. 2 in.)	O Maximum Blade Drop Below Ground	400 mm (15.7 in.)
Cab	2.48 m (8 ft. 2 in.)	Blade	
I Track Width	300 mm (12 in.)	Width	1.74 m (5 ft. 9 in.)
J Undercarriage Width	1.74 m (5 ft. 9 in.)	Height	373 mm (14.7 in.)
K Ground Clearance	280 mm (11 in.)	P Sprocket Center to Idler Center	1.66 m (5 ft. 5 in.)
L Tail Swing Radius		Q Undercarriage Length	2.11 m (6 ft. 11 in.)
With Standard Arm	870 mm (34 in.)	R Counterweight Clearance	550 mm (22 in.)
With Long Arm and Extra Counterweight	980 mm (39 in.)		

Lift Capacities

Boldface type indicates hydraulically limited capacity; **lightface type** indicates stability-limited capacities, in kg (lb.). All lift capacities are based on ISO 10567 (with power boost). Lifting measurement from center of arm to bucket pin; with 400-mm (16 in.) track shoe and blade on ground; and situated on firm, level, uniform supporting surface. Total load includes weight of cables, hook, etc. Figures do not exceed 87 percent of hydraulic capacities or 75 percent of weight needed to tip machine.

Ground Level at 3.05-m (10 ft.) Radius	Canopy and Standard Counterweight		Cab and Standard Counterweight		Canopy and Extra Counterweight		Cab and Extra Counterweight	
	Over Front	Over Side	Over Front	Over Side	Over Front	Over Side	Over Front	Over Side
1315-mm (4 ft. 4 in.) Standard Arm	1568 kg (3,453 lb.)	641 kg (1,412 lb.)	1568 kg (3,453 lb.)	684 kg (1,506 lb.)	1568 kg (3,453 lb.)	765 kg (1,686 lb.)	1568 kg (3,453 lb.)	808 kg (1,780 lb.)
1715-mm (5 ft. 8 in.) Long Arm	1501 kg (3,307 lb.)	630 kg (1,388 lb.)	1501 kg (3,307 lb.)	672 kg (1,481 lb.)	1501 kg (3,307 lb.)	755 kg (1,662 lb.)	1501 kg (3,307 lb.)	797 kg (1,756 lb.)

Additional equipment

Key: ● Standard ▲ Optional or special

See your John Deere dealer for further information.

35G Engine

- Meets EPA Final Tier 4/EU Stage IV emissions
- Auto shutdown
- Engine coolant to -37 deg. C (-34 deg. F)
- Engine preheater
- Fan guard
- Fuel/water separator
- Full-flow oil filter
- Isolation mounted
- Key start switch with electric fuel shutoff
- Single dry-type air filter

Hydraulic System

- Auto-idle
- Auxiliary function right-hand pilot-lever control
- Auxiliary hydraulic lines with quick-couplers to end of boom
- Auxiliary return-flow selector valve
- Axial-piston swing motor
- Boom-swing foot control
- Excavator-to-backhoe control pattern change valve
- Open center with 2 variable-displacement pumps and 1 fixed-gear pump
- Hydraulic pilot-operated controls for boom, arm, bucket, swing, boom swing, blade, travel, and auxiliary functions
- Wet-disc swing brake

Undercarriage

- Planetary final drive
- Propel motor shield

35G Undercarriage (continued)

- 2-speed axial-piston propel motors
- Rubber track, 300 mm (12 in.)
- ▲ Steel track, 300 mm (12 in.) with triple semi-grousers
- ▲ Rubber crawler pad, 300 mm (12 in.)

Upperstructure

- 360-deg. rotation
- Counterweight, 540 kg (1,190 lb.)
- Hinged service-access doors
- ROPS/TOPS/FOPS (canopy)
- ▲ ROPS/TOPS/FOPS (cab) with air conditioning and heater
- Vandal protection for service doors, fuel cap, and toolbox
- Zero-tail-swing configuration

Front Attachments

- Arm, 1315 mm (4 ft. 4 in.)
- ▲ Long arm, 1715 mm (5 ft. 8 in.), includes additional 240-kg (529 lb.) counterweight
- Articulation hose shield
- Backfill blade, 1.74 m (5 ft. 9 in.)
- ▲ Hydraulic angle backfill blade
- Boom, 2.465 m (8 ft. 1 in.)
- Mechanical quick-coupler
- ▲ Augers: Planetary / Chain drive / Bits / Bit adapters
- ▲ Clamp
- ▲ Hammers: Points / Tools
- ▲ Quick-coupler buckets: Bucket teeth / Ditching / Heavy-duty

35G Operator's Station

- Horn
- Hour meter
- Instrumentation lights
- Mode selectors (illuminated): Power mode (1) / Economy mode (1)
- Monitor system: Preheat indicator / Engine oil pressure indicator with alarm / Alternator voltage indicator / Fuel gauge and low-fuel-level indicator / Engine coolant temperature gauge and engine coolant temperature indicator with alarm / Hour meter / Work lights indicator
- Motion alarm with cancel switch
- Work lights switch
- Propel levers and foldable pedals
- 2 travel speeds with automatic shifting
- Seat belt, 51 mm (2 in.), retractable
- ▲ Seat belt, 76 mm (3 in.), retractable
- Vinyl seat with fore/aft adjustment
- ▲ Suspension seat (cloth)
- ▲ Front screen
- ▲ Rear secondary exit kit

Electrical

- 12-volt accessory outlet
- Alternator, 55 amp
- Low-maintenance battery
- Blade-type multi-fused circuits
- Positive-terminal battery covers

Lights

- Work lights: Halogen / 1 mounted on operator's station / 1 mounted on boom

While general information, pictures, and descriptions are provided, some illustrations and text may include product options and accessories NOT AVAILABLE in all regions, and in some countries products and accessories may require modifications or additions to ensure compliance with the local regulations of those countries.

Net engine power is with standard equipment including air cleaner, exhaust system, alternator, and cooling fan at test conditions per ISO 9249. These machines are not equipped with spark-arrestor mufflers. Usage in forestry applications is not recommended. Specifications and design subject to change without notice. Wherever applicable, specifications are in accordance with SAE standards. Except where otherwise noted, these specifications are based on a canopy unit with standard arm; 610-mm (24 in.), 0.11-m³ (4.0 cu. ft.) bucket; 300-mm (12 in.) rubber track; and 540-kg (1,190 lb.) counterweight; full fuel tank; and 79-kg (175 lb.) operator.

MAINTENANCE FOR SKID STEER AND EXCAVATOR CUTTERS

A. General

1. Always block up mower and remove key before servicing.

B. Daily maintenance

1. Check Gearboxes and overhead load bearings for proper lube levels.
2. Thoroughly check cutter for loose bolts and nuts and check for damage before operation.
3. Check all safety devices for damage and wear, make sure they are in good working condition.
4. Make sure all safety decals are undamaged and legible.
5. Check blades for proper sharpness and for damage or excessive wear.

C. Periodic maintenance

1. Check cutter deck for cracks or other damage and fix as needed.
2. Check hydraulic motor for signs of fatigue or excessive wear.
3. Check hydraulic lines, fittings and couplers for leaks and/or excessive wear.
4. Check blade carrier for damage or excessive wear, and repair or replace as needed.

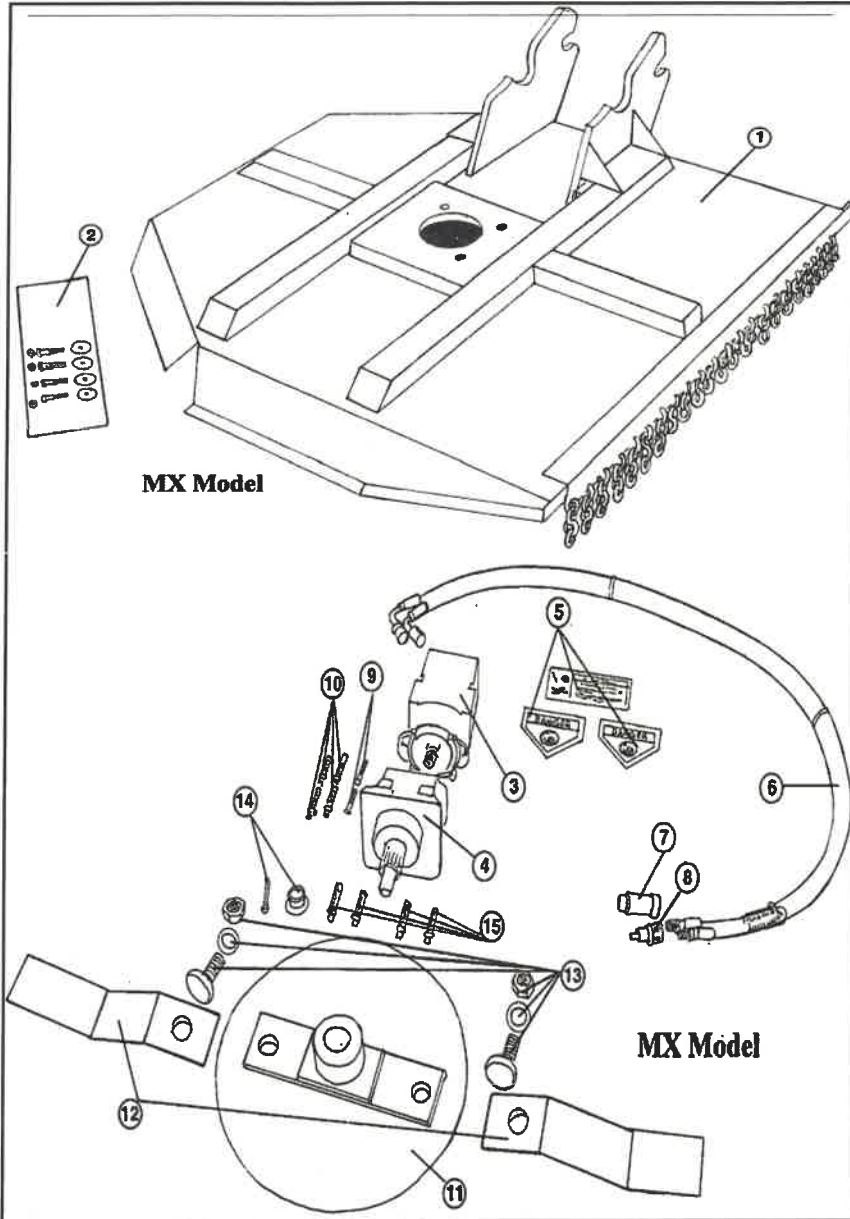
D. Blade maintenance

1. Sharpen blades as required.
2. Never sharpen severely worn or damaged blades.
3. Always use a grinder to sharpen blades.
4. Weigh blades separately to maintain proper balance.
5. Always follow original pattern of cutting kerfs.
6. Never straighten, heat bend or weld cutter blades.
7. Never hard surface cutter blades, this could cause failure.

E. Blade replacement

1. Use only original equipment blades on all cutters.
2. Always replace all blades at one time to ensure balance of blade carrier.

MX Models



MX Part Numbers	Description
<u>1</u>	<u>MX401-42</u> <u>42" Galvanized Deck</u>
	<u>MX401</u> <u>48" Galvanized Deck</u>
	<u>MX501</u> <u>60" Galvanized Deck</u>
<u>2</u>	<u>SBR-MX42</u> <u>1/2 x 6" Rubber for 42" Deck</u>
	<u>SBR-MX60</u> <u>1/2 x 6" Rubber for 60" Deck</u>
<u>3</u>	<u>GT8321</u> <u>Direct Drive Motor (10-15 GPM)</u>
	<u>GT8093</u> <u>Direct Drive Motor (14-19 GPM)</u>
	<u>GT8263</u> <u>Direct Drive Motor (18-24 GPM)</u>
<u>4</u>	<u>MDH-40B</u> <u>Overhead Load Bearing-42"</u>
	<u>MDH-40C</u> <u>Overhead Load Bearing-48" & 60"</u>
<u>5</u>	<u>MX-Decal</u> <u>Decal kit for MX Models</u>
<u>6</u>	<u>HH-TAZ</u> <u>80" Hyd. Hose Set W/Sheath</u>
	<u>HH-TAZ-100</u> <u>100" Hyd. Hose Set W/Sheath</u>
	<u>HH-TAZ-120</u> <u>120" Hyd. Hose Set w/Sheath</u>
<u>7</u>	<u>FF08-08C</u> <u>1/2" FF Coupler body x 1/2" NPT</u>
<u>8</u>	<u>FF08-08N</u> <u>1/2" FF Nipple x 1/2" NPT</u>
<u>9</u>	<u>Gr. 5</u> <u>1/2" x 1 1/2" Hex Bolts (2)</u>
<u>10</u>	<u>Gr. 5</u> <u>1/2" x 1 1/2" Hex Bolts (4)</u>
<u>11</u>	<u>BC-4</u> <u>Blade carrier for 42" & 48"</u>
	<u>DBA-5SL</u> <u>60" Devastator Blade Assembly</u>
<u>12</u>	<u>BL-TAZ</u> <u>Set Of 2 Blades -42"</u>
	<u>BL</u> <u>Set Of 2 Blades (4', 5' & 6')</u>
<u>13</u>	<u>BBN</u> <u>Blade Bolt & Nut (1 set of 2 ea.)</u>
<u>14</u>	<u>CN</u> <u>Castle nut & Cotter pin</u>
<u>15</u>	<u>Gr. 5</u> <u>5/8" x 2 1/4" Hex Bolts (4)</u>



BUSHMASTER Equipment Warranty Information

All BUSHMASTER equipment comes with full 90-day warranty.
Gear boxes, motors and bearing assemblies carry a 1-year warranty.

LIMITED WARRANTY

FREIGHT TERMS & CLAIMS

Title to the product and risk of loss transfers to the customer upon shipment from our dock, F.O.B. Gadsden, Al. BUSHMASTER is not responsible for product damage or lost in transit. Claims for product damage or lost in transit are the responsibility of the buyer and should be filed with the carrier immediately.

WARRANTY

BUSHMASTER warrants each new product to be free from defects in material and workmanship.

For 90 days from the date of purchase, when the attachment has been maintained and lubricated in accordance with the operating and maintenance instructions in the Owner's Manual, BUSHMASTER will repair or replace free of charge, any defect in material or workmanship in this product.

This warranty does not cover:

This warranty excludes wear items such as, but not limited to, blades, blade bolts, spears, forks, etc. These items are expendable and may become worn during normal use.

Repairs on the motor, bearing assemblies or couplers because of alteration, an accident, or operator abuse or negligence, including the failure to maintain and operate the equipment according to the instructions contained in the Owner's Manual, or if repairs have been made with parts other than those obtained through BUSHMASTER, Inc.

Disassembly of motor will void motor warranty.

Our obligation under this warranty shall be limited to repairing and replacing, free of charge to the original purchaser, any part that in our judgment shows evidence of a defect, provided the part is routed through the dealer and the distributor from whom the purchase was made, transportation charges prepaid.

This warranty shall not be interpreted to render us liable for injury or damages of any kind. This warranty does not extend to any expense or loss incurred for labor, supplies, substitute machine rental, or any other reason.

This warranty is subject to any existing condition of supply which may directly affect our ability to obtain materials or manufactured replacement parts.

BUSHMASTER, Inc. reserves the rights to make improvements in designs or changes in specifications at any time, without incurring any obligations to owners of units previously sold.

No one is authorized to alter, modify, or enlarge this warranty nor the exclusions, limitations and reservations.

Every BUSHMASTER product is the highest quality available.

If you wish to contact us regarding this product, please call toll free between 8:30 a.m. and 4:30 p.m.