



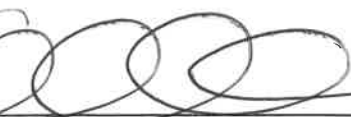
**State of West Virginia
Agency Request for Quote
Equipment**

Proc Folder: 1200142			Reason for Modification: Addendum Addendum No. 02 is issued to publish and distribute the attached information to the Vendor Community.
Doc Description: Addendum No. 02 - Mini Excavator w/Attachments for ERRT			
Proc Type: Agency Purchase Order			
Date Issued	Solicitation Closes	Solicitation No	Version
2023-04-12	2023-04-18 13:30	ARFQ 0310 DNR2300000022	3

BID RECEIVING LOCATION
BID RESPONSE DIVISION OF NATURAL RESOURCES PROPERTY & PROCUREMENT OFFICE 324 4TH AVE SOUTH CHARLESTON WV 25303-1228 US

VENDOR
Vendor Customer Code: Vendor Name : <i>State Equipment, Inc.</i> Address : <i>560 New Goff Mountain Road</i> Street : City : <i>Cross Lanes</i> State : <i>West Virginia</i> Country : <i>United States</i> Zip : <i>25313</i> Principal Contact : <i>Edward Rowan</i> Vendor Contact Phone: <i>304-776-4405</i> Extension:

FOR INFORMATION CONTACT THE BUYER James H Adkins (304) 558-3397 jamie.h.adkins@wv.gov

Vendor Signature 	FEIN# <i>55-0658298</i>	DATE <i>4/17/23</i>
--	-------------------------	---------------------

All offers subject to all terms and conditions contained in this solicitation

ADDITIONAL INFORMATION

The West Virginia Division of Natural Resources - Parks and Recreation Section is soliciting bids for the one-time purchase of a mini excavator with attachments delivered to Elk River Rail Trail located in Clay WV.

INVOICE TO		SHIP TO	
DIVISION OF NATURAL RESOURCES		DIVISION OF NATURAL RESOURCES	
ELK RIVER RAIL TRAIL		ELK RIVER RAIL TRAIL	
P.O. BOX 9		P.O. BOX 9	
CLAY WV		CLAY WV	
US		US	

Line	Comm Ln Desc	Qty	Unit Issue	Unit Price	Total Price
1	Diesel Mini Excavator	1.00000	EA	\$ 51,744.00	\$ 51,744.00

Comm Code	Manufacturer	Specification	Model #
22101526	<i>Case</i>	<i>Mini Excavator</i>	<i>CX37C</i>

Extended Description:
 3.1 Diesel Mini Excavator,
 Case Model CX37C
 or equal

INVOICE TO		SHIP TO	
DIVISION OF NATURAL RESOURCES		DIVISION OF NATURAL RESOURCES	
ELK RIVER RAIL TRAIL		ELK RIVER RAIL TRAIL	
P.O. BOX 9		P.O. BOX 9	
CLAY WV		CLAY WV	
US		US	

Line	Comm Ln Desc	Qty	Unit Issue	Unit Price	Total Price
2	24 inch Bucket with Teeth	1.00000	EA	\$ 1,345.00	\$ 1,345.00

Comm Code	Manufacturer	Specification	Model #
22101702	<i>USA Attachments</i>	<i>24" Bucket</i>	<i>EB1024</i>

Extended Description:
 3.2.1 24-inch Bucket with Teeth

INVOICE TO		SHIP TO	
DIVISION OF NATURAL RESOURCES		DIVISION OF NATURAL RESOURCES	
ELK RIVER RAIL TRAIL		ELK RIVER RAIL TRAIL	
P.O. BOX 9		P.O. BOX 9	
CLAY WV		CLAY WV	
US		US	

Line	Comm Ln Desc	Qty	Unit Issue	Unit Price	Total Price
3	36 inch Bucket with Smooth Lip for Ditching	1.00000	EA	\$ 1,517.00	\$ 1,517.00

Comm Code	Manufacturer	Specification	Model #
22101702	USA	36" smooth Lip Bucket	EB1036

Extended Description:
3.2.2 36 inch Bucket with Smooth Lip for Ditching

INVOICE TO		SHIP TO	
DIVISION OF NATURAL RESOURCES		DIVISION OF NATURAL RESOURCES	
ELK RIVER RAIL TRAIL		ELK RIVER RAIL TRAIL	
P.O. BOX 9		P.O. BOX 9	
CLAY WV		CLAY WV	
US		US	

Line	Comm Ln Desc	Qty	Unit Issue	Unit Price	Total Price
4	Hydraulic Thumb	1.00000	EA	\$ 1,575.00	\$ 1,575.00

Comm Code	Manufacturer	Specification	Model #
22101702	USA Attachments	Hydraulic Thumb	HT830

Extended Description:
3.2.3 Hydraulic Thumb

INVOICE TO		SHIP TO	
DIVISION OF NATURAL RESOURCES		DIVISION OF NATURAL RESOURCES	
ELK RIVER RAIL TRAIL		ELK RIVER RAIL TRAIL	
P.O. BOX 9		P.O. BOX 9	
CLAY WV		CLAY WV	
US		US	

Line	Comm Ln Desc	Qty	Unit Issue	Unit Price	Total Price
5	Brush Hog	1.00000	EA	# 3,355.00	# 3,355.00

Comm Code	Manufacturer	Specification	Model #
21101701	Rut Mfg	Brush Cutter	36" Brush Cutter

Extended Description:
3.2.4 Brush Hog

SCHEDULE OF EVENTS

Line	Event	Event Date
1	TECHNICAL QUESTION DEADLINE at 9 AM	2023-04-04

EXHIBIT A - PRICING PAGE

REQUEST FOR QUOTATION


West Virginia Division of Natural Resources - Parks and Recreation Section

Mini Excavator with Attachments for Elk River Rail Trail

Item No.	Description	Make & Model of Bid Item	Unit	Qty	Price*
3.1	Diesel Mini Excavator, Case Model CX37C or equal	Case CX37c	EA	1	\$ 51,744. ⁰⁰
3.2 Mini Excavator Attachments:					
3.2.1	24 inch Bucket with Teeth	USA Attachments EB1024	EA	1	\$ 1,345. ⁰⁰
3.2.2	36 inch Bucket with Smooth Lip for Ditching	USA Attachments EB1036	EA	1	\$ 1,517. ⁰⁰
3.2.3	Hydraulic Thumb	USA Attachments HT830	EA	1	\$ 1,575. ⁰⁰
3.2.4	Brush Hog	Rut MFG 36" Brush mower	EA	1	\$ 3,355. ⁰⁰
TOTAL					\$ 59,536.⁰⁰

*Price must include delivery fee to Elk River Rail Trail.

Vendor State Equipment, Inc.

Authorized Signature 

Date 4/17/23

ADDENDUM ACKNOWLEDGEMENT FORM
SOLICITATION NO.: ARFQ DNR23*22

Instructions: Please acknowledge receipt of all addenda issued with this solicitation by completing this addendum acknowledgment form. Check the box next to each addendum received and sign below. Failure to acknowledge addenda may result in bid disqualification.

Acknowledgment: I hereby acknowledge receipt of the following addenda and have made the necessary revisions to my proposal, plans and/or specification, etc.

Addendum Numbers Received:

(Check the box next to each addendum received)

- | | |
|--|--|
| <input checked="" type="checkbox"/> Addendum No. 1 | <input type="checkbox"/> Addendum No. 6 |
| <input checked="" type="checkbox"/> Addendum No. 2 | <input type="checkbox"/> Addendum No. 7 |
| <input type="checkbox"/> Addendum No. 3 | <input type="checkbox"/> Addendum No. 8 |
| <input type="checkbox"/> Addendum No. 4 | <input type="checkbox"/> Addendum No. 9 |
| <input type="checkbox"/> Addendum No. 5 | <input type="checkbox"/> Addendum No. 10 |

I understand that failure to confirm the receipt of addenda may be cause for rejection of this bid. I further understand that any verbal representation made or assumed to be made during any oral discussion held between Vendor's representatives and any state personnel is not binding. Only the information issued in writing and added to the specifications by an official addendum is binding.

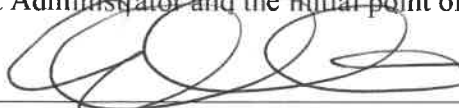
State Equipment, Inc.
Company


Authorized Signature

04-17-2023
Date

NOTE: This addendum acknowledgment should be submitted with the bid to expedite document processing.

DESIGNATED CONTACT: Vendor appoints the individual identified in this Section as the Contract Administrator and the initial point of contact for matters relating to this Contract.



(Name, Title)
Edward Row - GM

(Printed Name and Title)
560 New Golf Mountain Road - Cross Lanes, WV 25313

(Address)
304-776-4405 / 304-776-4409

(Phone Number) / (Fax Number)
Edwie@stateequipment.com

(Email Address)

CERTIFICATION AND SIGNATURE: By signing below, or submitting documentation through wvOASIS, I certify that I have reviewed this Solicitation in its entirety; that I understand the requirements, terms and conditions, and other information contained herein; that this bid, offer or proposal constitutes an offer to the State that cannot be unilaterally withdrawn; that the product or service proposed meets the mandatory requirements contained in the Solicitation for that product or service, unless otherwise stated herein; that the Vendor accepts the terms and conditions contained in the Solicitation, unless otherwise stated herein; that I am submitting this bid, offer or proposal for review and consideration; that I am authorized by the vendor to execute and submit this bid, offer, or proposal, or any documents related thereto on vendor's behalf; that I am authorized to bind the vendor in a contractual relationship; and that to the best of my knowledge, the vendor has properly registered with any State agency that may require registration.

State Equipment, Inc.

(Company)


(Authorized Signature) (Representative Name, Title)
Edward Row General Manager

(Printed Name and Title of Authorized Representative)
04-14-2023

(Date)
304-776-4405 / 304-776-4409

(Phone Number) (Fax Number)

	Document Phase	Document Description	Page
DNR230000022	Final	Addendum No. 02 - Mini Excavator w/Attachments for ERRT	5

ADDITIONAL TERMS AND CONDITIONS

See attached document(s) for additional Terms and Conditions

STATE OF WEST VIRGINIA
Purchasing Division

PURCHASING AFFIDAVIT

CONSTRUCTION CONTRACTS: Under W. Va. Code § 5-22-1(i), the contracting public entity shall not award a construction contract to any bidder that is known to be in default on any monetary obligation owed to the state or a political subdivision of the state, including, but not limited to, obligations related to payroll taxes, property taxes, sales and use taxes, fire service fees, or other fines or fees.

ALL CONTRACTS: Under W. Va. Code §5A-3-10a, no contract or renewal of any contract may be awarded by the state or any of its political subdivisions to any vendor or prospective vendor when the vendor or prospective vendor or a related party to the vendor or prospective vendor is a debtor and: (1) the debt owed is an amount greater than one thousand dollars in the aggregate; or (2) the debtor is in employer default.

EXCEPTION: The prohibition listed above does not apply where a vendor has contested any tax administered pursuant to chapter eleven of the W. Va. Code, workers' compensation premium, permit fee or environmental fee or assessment and the matter has not become final or where the vendor has entered into a payment plan or agreement and the vendor is not in default of any of the provisions of such plan or agreement.

DEFINITIONS:

"Debt" means any assessment, premium, penalty, fine, tax or other amount of money owed to the state or any of its political subdivisions because of a judgment, fine, permit violation, license assessment, defaulted workers' compensation premium, penalty or other assessment presently delinquent or due and required to be paid to the state or any of its political subdivisions, including any interest or additional penalties accrued thereon.

"Employer default" means having an outstanding balance or liability to the old fund or to the uninsured employers' fund or being in policy default, as defined in W. Va. Code § 23-2c-2, failure to maintain mandatory workers' compensation coverage, or failure to fully meet its obligations as a workers' compensation self-insured employer. An employer is not in employer default if it has entered into a repayment agreement with the Insurance Commissioner and remains in compliance with the obligations under the repayment agreement.

"Related party" means a party, whether an individual, corporation, partnership, association, limited liability company or any other form or business association or other entity whatsoever, related to any vendor by blood, marriage, ownership or contract through which the party has a relationship of ownership or other interest with the vendor so that the party will actually or by effect receive or control a portion of the benefit, profit or other consideration from performance of a vendor contract with the party receiving an amount that meets or exceeds five percent of the total contract amount.

AFFIRMATION: By signing this form, the vendor's authorized signer affirms and acknowledges under penalty of law for false swearing (W. Va. Code §61-5-3) that: (1) for construction contracts, the vendor is not in default on any monetary obligation owed to the state or a political subdivision of the state, and (2) for all other contracts, that neither vendor nor any related party owe a debt as defined above and that neither vendor nor any related party are in employer default as defined above, unless the debt or employer default is permitted under the exception above.

WITNESS THE FOLLOWING SIGNATURE:

Vendor's Name: State Equipment Inc.

Authorized Signature: [Signature] Date: 4/17/23

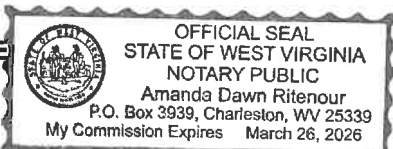
State of West Virginia

County of Kanawha, to-wit:

Taken, subscribed, and sworn to before me this 17 day of April, 2023

My Commission expires March 26, 2026

AFFIX SEAL HERE



NOTARY PUBLIC Amanda Dawn Ritenour



ENGINE

Model	Yanmar 3TNV88F-ESHYB
Emissions Certification	Tier 4 Final
Fuel	Diesel
Cylinders	3
Displacement	100.2 in ³ (1 642 cc)
Fuel injection	Mechanical w/electronic governor
Gross horsepower – SAE J1995 @ 2200 RPM:	24.4 hp (18.2 kW)
Net horsepower – SAE J1349 @ 2200 RPM:	23.7 hp (17.7 kW)
Maximum Engine Torque @ 1200 RPM:	69.4 lb ft (94.1 Nm)
Cooling	Water-cooled

DRIVETRAIN

Travel speeds:	
1st	1.6 mph (2.5 kph)
2nd	2.6 mph (4.2 kph)
Maximum traction force	6,835 lb (3 100 kg)
Gradeability	30° (58%)
Ground pressure:	
Canopy	N/A
Cab	4.83 psi (0.34 kgf/cm ²)

ELECTRICAL

Voltage	12 Volts
Alternator rating	55 amp
Battery	1 x 12 V x 70 Ah 750 CCA

OPERATOR ENVIRONMENT

ROPS/FOPS four post canopy or enclosed cab; ISO 6396:2008 sound pressure level L_{pA}=75dB (A); Pilot operated hand controls and foot pedals; Adjustable seat w/seat belt; Arm rests; 12V socket.

Display includes:

Engine oil pressure warning lamp; Battery charging warning lamp; Engine preheat pilot lamp; Engine coolant temp warning lamp; Air cleaner warning lamp; Overload warning lamp; Travel speed pilot lamp; Fuel low level warning lamp; Air cleaner warning lamp; Hyd. quick coupler lock lamp; Engine coolant temp gauge; Fuel gauge and Hour meter.

OPERATING WEIGHT

Canopy operating weight:	
Short arm	7,990 lb (3 625 kg)
Long arm w/additional counterweight	8,350 lb (3 790 kg)
Cab operating weight:	
Short arm	8,300 lb (3 765 kg)
Long arm w/additional counterweight	8,660 lb (3 930 kg)

NOTE: w/rubber tracks/no quick coupler/bucket/fluids/full of fuel/165 lb operator.

HYDRAULICS

Main pumps:	Variable displacement tandem axial piston pump + gear pump
Max rated flow:	2 x 9.9 + 6.1 gpm (2 x 37.4 + 23.1 L/min)

Auxiliary flow @ 3,278 psi (226 bar):	
Primary	16.0 gpm (60.5 L/min)
Secondary	16.0 gpm (60.5 L/min)

System relief pressure:	
Standard	3,271 psi (226 bar)
Overload relief valve	3,556 psi (245 bar)

Pilot control hydraulic system:	
Pump	Gear Pump
Maximum capacity	2.6 gpm (9.9 L/min)

Control valves:	
Pilot control for boom, arm, bucket, and swing	
Mechanical control for left/right travel and backfill blade	

Swing motor:	Fixed displacement axial piston motor Automatic spring applied hydraulic released brake
--------------	--

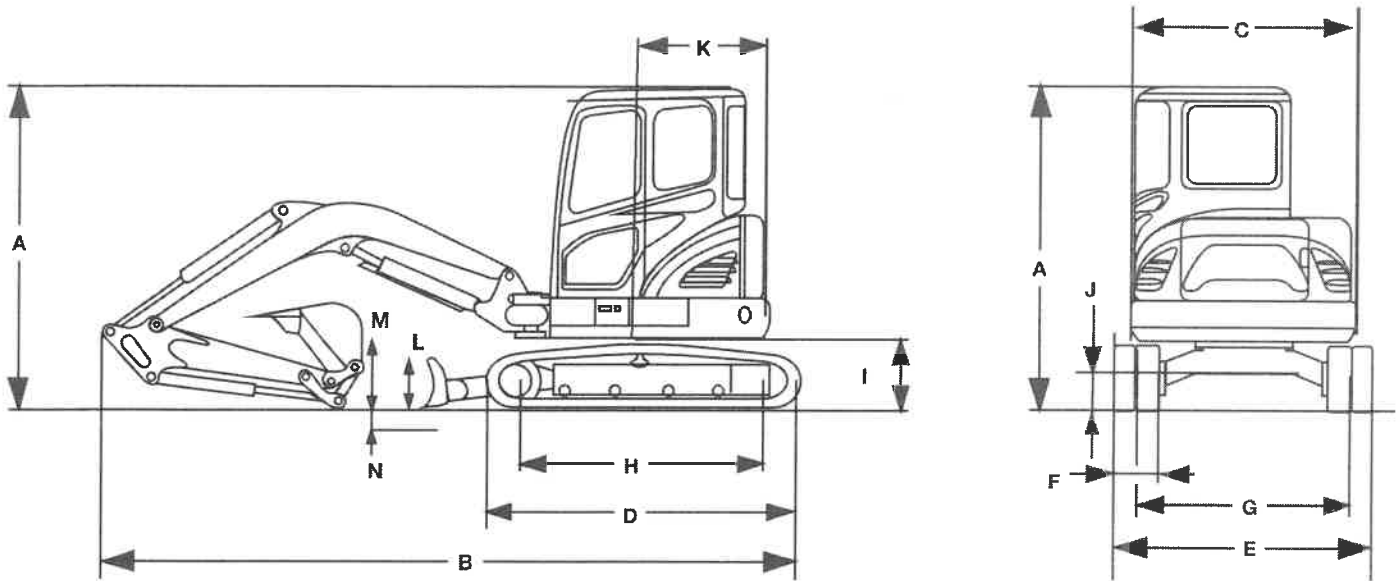
Travel motor:	Variable displacement axial piston 2-stage planetary Automatic spring applied hydraulic released brake
---------------	---

SERVICE CAPACITIES

Fuel tank	10.5 gal (40 L)
Hydraulic tank:	
Refill capacity	9.8 gal (37 L)
Total system	15.9 gal (60 L)
Engine oil w/filter change	1.8 gal (6.7 L)
Radiator	1.5 gal (5.5 L)

OTHER SPECIFICATIONS

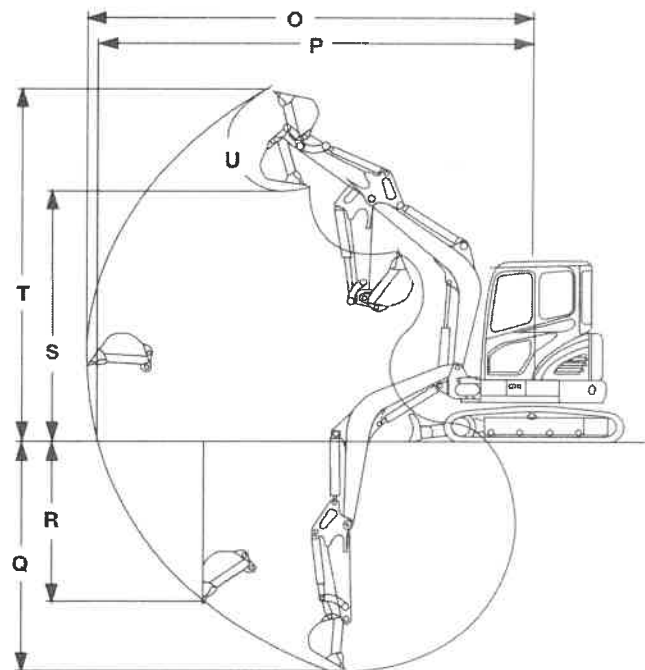
Swing speed	0 – 9.5 RPM
Undercarriage:	
Track rollers	1 upper/4 lower each
Boom:	
Swing	75° left/50° right
Length	8 ft 2 in (2.5 m)
Arm:	
Standard length	4 ft 3 in (1.3 m)
Long arm length	5 ft 3 in (1.6 m)



Line drawings are for illustrative purpose only and may not be exact representation of unit.

DIMENSIONS

	4 ft 3 in (1.3 m) Arm
A. Overall height	8 ft 2 in (2 500 mm)
B. Overall transport length	15 ft 9 in (4 790 mm)
C. Width of upper structure	5 ft 0 in (1 530 mm)
D. Track overall length	7 ft 0 in (2 130 mm)
E. Track overall width	5 ft 9 in (1 740 mm)
F. Track shoe width	12 in (300 mm)
G. Track gauge	4 ft 9 in (1 440 mm)
H. Center to center – idler to sprocket	5 ft 7 in (1 700 mm)
I. Upper structure ground clearance	1 ft 9 in (540 mm)
J. Minimum ground clearance	11 in (290 mm)
K. Tail swing radius:	
Standard counterweight	2 ft 10 in (870 mm)
Additional counterweight	3 ft 3 in (985 mm)
Boom swing	75° left/50° right
Tail swing overhang:	
Standard counterweight	0 in (0 mm)
Additional counterweight	5 in (115 mm)



BLADE SPECS

	Standard Blade	Angled Blade
L. Backfill blade height	1 ft 3 in (370 mm)	1 ft 4 in (407 mm)
M. Backfill blade rise above ground	1 ft 3 in (375 mm)	1 ft 5 in (428 mm)
N. Backfill blade dig depth	1 ft 3 in (390 mm)	1 ft 5 in (440 mm)
Backfill blade width	5 ft 9 in (1 740 mm)	5 ft 9 in (1 740 mm)

PERFORMANCE SPECS

	4 ft 3 in (1.3 m) Arm	5 ft 3 in (1.6 m) Arm
O. Maximum dig radius	17 ft 5 in (5 315 mm)	18 ft 5 in (5 605 mm)
P. Dig radius at groundline	17 ft 1 in (5 200 mm)	18 ft 0 in (5 495 mm)
Q. Maximum dig depth	10 ft 3 in (3 135 mm)	11 ft 3 in (3 440 mm)
R. Vertical straight wall dig depth	7 ft 2 in (2 190 mm)	8 ft 5 in (2 565 mm)
S. Dump height	11 ft 3 in (3 425 mm)	11 ft 10 in (3 615 mm)
T. Overall reach height	15 ft 9 in (4 810 mm)	16 ft 7 in (5 010 mm)
U. Bucket rotation	180°	180°
Arm digging force – ISO	4,390 lbf (1 990 kgf/19.5 kN)	3,800 lbf (1 720 kgf/16.9 kN)
Bucket digging force – ISO	6,900 lbf (3 130 kgf/30.7 kN)	6,900 lbf (3 130 kgf/30.7 kN)

LIFT CAPACITIES

8 ft 2 in (2.5 m) Boom, 4 ft 3 in (1.3 m) Arm, Dozer Blade Down Canopy unit equipped with 0.11 m³ (SAE heaped) bucket, 12 in (300 mm) rubber track and 900 lb (410 kg) counterweight.

Load/Lift Point Height	LOAD RADIUS								MAXIMUM REACH			
	3 ft (1.0 m)		7 ft (2.0 m)		10 ft (3.0 m)		13 ft (4.0 m)		REACH	CAPACITY		
	END	SIDE	END	SIDE	END	SIDE	END	SIDE	@	END	SIDE	
+10 ft (3.0 m)										12 ft 11 in (3.94 m)	1,170 lb* (530 kg)*	1,070 lb (490 kg)
+7 ft (2.0 m)					1,380 lb* (630 kg)*	1,380 lb* (630 kg)*	1,210 lb* (550 kg)*	1,020 lb (460 kg)		14 ft 7 in (4.45 m)	1,190 lb* (540 kg)*	830 lb (380 kg)
+3 ft (1.0 m)					1,990 lb* (900 kg)*	1,540 lb (700 kg)	1,400 lb* (640 kg)*	970 lb (440 kg)		15 ft 3 in (4.64 m)	1,240 lb* (560 kg)*	750 lb (340 kg)
Groundline			2,990 lb* (1 320 kg)*	2,500 lb (1 130 kg)	2,410 lb* (1 090 kg)*	1,440 lb (650 kg)	1,570 lb* (710 kg)*	920 lb (420 kg)		14 ft 11 in (4.55 m)	1,320 lb* (600 kg)*	750 lb (340 kg)
-3 ft (-1.0 m)	3,640 lb* (1 740 kg)*	3,840 lb* (1 740 kg)*	4,330 lb* (1 960 kg)*	2,800 lb (1 270 kg)	2,390 lb* (1 090 kg)*	1,410 lb (640 kg)	1,520 lb* (690 kg)*	910 lb (410 kg)		13 ft 8 in (4.17 m)	1,400 lb* (640 kg)*	660 lb (300 kg)
-7 ft (-2.0 m)	5,680 lb* (2 580 kg)*	5,680 lb* (2 580 kg)*	3,190 lb* (1 450 kg)*	2,980 lb (1 310 kg)	1,840 lb* (830 kg)*	1,460 lb (660 kg)				11 ft 0 in (3.36 m)	1,470 lb* (670 kg)*	1,230 lb (560 kg)

NOTE: Lifting capacity are based on ISO 10567.

Lifting capacity does not exceed 75% of tipping load with the machine on firm, level ground or 87% of full hydraulic capacity.

The lift point is a hook located on the back of the bucket.

*Indicates load limited by hydraulic capacity.

8 ft 2 in (2.5 m) Boom, 5 ft 3 in (1.6 m) Arm, Dozer Blade Down Canopy unit equipped with 0.11 m³ (SAE heaped) bucket, 12 in (300 mm) rubber track and 1,235 lb (560 kg) counterweight.

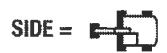
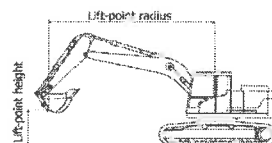
Load/Lift Point Height	LOAD RADIUS								MAXIMUM REACH			
	3 ft (1.0 m)		7 ft (2.0 m)		10 ft (3.0 m)		13 ft (4.0 m)		REACH	CAPACITY		
	END	SIDE	END	SIDE	END	SIDE	END	SIDE	@	END	SIDE	
+10 ft (3.0 m)							970 lb* (440 kg)*	970 lb* (440 kg)*		14 ft 2 in (4.32 m)	970 lb* (440 kg)*	970 lb* (440 kg)*
+7 ft (2.0 m)							1,060 lb* (480 kg)*	1,060 lb* (480 kg)*		15 ft 8 in (4.78 m)	940 lb* (420 kg)*	840 lb (380 kg)
+3 ft (1.0 m)			3,710 lb* (1 680 kg)*	3,390 lb (1 540 kg)	1,770 lb* (800 kg)*	1,760 lb (800 kg)	1,290 lb* (590 kg)*	1,110 lb (500 kg)		16 ft 3 in (4.95 m)	990 lb* (450 kg)*	760 lb (350 kg)
Groundline			3,060 lb* (1 390 kg)*	3,060 lb* (1 390 kg)*	2,300 lb* (1 040 kg)*	1,630 lb (740 kg)	1,510 lb* (680 kg)*	1,050 lb (470 kg)		16 ft 0 in (4.87 m)	1,140 lb* (520 kg)*	760 lb (350 kg)
-3 ft (-1.0 m)	3,040 lb* (1 380 kg)*	3,040 lb* (1 380 kg)*	4,610 lb* (2 090 kg)*	3,090 lb (1 400 kg)	2,420 lb* (1 100 kg)*	1,580 lb (720 kg)	1,560 lb* (710 kg)*	1,020 lb (460 kg)		14 ft 10 in (4.52 m)	1,250 lb* (570 kg)*	850 lb (380 kg)
-7 ft (-2.0 m)	4,610 lb* (2 090 kg)*	4,610 lb* (2 090 kg)*	3,720 lb* (1 690 kg)*	3,160 lb (1 430 kg)	2,080 lb* (940 kg)*	1,600 lb (730 kg)				12 ft 6 in (3.81 m)	1,340 lb* (610 kg)*	1,120 lb (510 kg)

NOTE: Lifting capacity are based on ISO 10567.

Lifting capacity does not exceed 75% of tipping load with the machine on firm, level ground or 87% of full hydraulic capacity.

The lift point is a hook located on the back of the bucket.

*Indicates load limited by hydraulic capacity.



STANDARD EQUIPMENT

ENGINE

Yanmar 3TNV88F-ESHYB
Glow plug starting aid
Dry type air cleaner with restriction indicator

ELECTRICAL

12-volt electrical starting system
Heavy-duty battery
Battery Master Switch
Key Start
Anti-Theft-Engine starting passwords
Front working light
Auto-idle feature with on/off switch
Horn
Pre-wired – Telematics ready

HYDRAULICS

Auxiliary hydraulics – single/bi-directional –
and plumbing to arm
Large hydraulic oil cooler
Control pattern selector valve
Cylinder rod protection covers – Backfill
blade and Boom

TRACK DRIVE

Rubber belt tracks
Automatic 2-speed travel
Fully hydrostatic drive system
Sealed and lubricated track rollers
Track tension adjustment – grease type

UPPER STRUCTURE

Zero tail swing
Standard arm: 4 ft 3 in (1.3 m)
Bucket linkage with lifting hook
Thumb bracket

OPERATOR ENVIRONMENT

See page 1

OTHER

Swing boom – 75° left/50° right
Hydraulic backfill blade

WARRANTY

Base warranty coverage: 2-Year/3,000-Hour
Full Machine Limited Warranty

OPTIONAL EQUIPMENT

OPERATOR ENVIRONMENT

Cab with Heat and air conditioning and radio
with USB and 2 speakers
Travel alarm

TRACK OPTIONS

Tracks:
Steel Tracks 12 in (300 mm)

OTHER

Additional counterweight adds 330 lb (150 kg)
Optional long arm: 5 ft 3 in (1.6 m)
Hydraulic quick coupler provision
Hydraulic coupler
Klac coupler
Mechanical coupler
Hydraulic hammer
Beacon
2nd auxiliary circuit
4-way angle blade with 25° left and 25°
right angle offset: adds 220 lb (100 kg)

CaseCE.com

©2021 CNH Industrial America LLC. All rights reserved. CASE is a trademark registered in the United States and many other countries, owned by or licensed to CNH Industrial N.V., its subsidiaries or affiliates. CNH Industrial Capital is a trademark in the United States and many other countries, owned by or licensed to CNH Industrial N.V., its subsidiaries or affiliates. Printed in U.S.A. Contains 10% post-consumer fiber.

IMPORTANT: CASE Construction Equipment Inc. reserves the right to change these specifications without notice and without incurring any obligation relating to such change. Availability of some models and equipment builds vary according to the country in which the equipment is used. The illustrations and text may include optional equipment and accessories and may not include all standard equipment. Your CASE dealer/distributor will be able to give you details of the products and their specifications available in your area.



CASE Construction Equipment is Biodiesel-friendly. NOTE: All engines meet current EPA emissions regulations. All specifications are stated in accordance with SAE Standards or Recommended Practices, where applicable.



Always read the Operator's Manual before operating any equipment. Inspect equipment before using it, and be sure it is operating properly. Follow the product safety signs and use any safety features provided.

Form No. GCE202108CX37C
Replaces Form No. GCE201806CX37C

CX37C