

Header 5

General Information Contact Default Values Discount Document Information Clarification Request

Procurement Folder: 1321004	SO Doc Code: ARFQ
Procurement Type: Agency Purchase Order	SO Dept: 0310
Vendor ID: VS0000028165	SO Doc ID: DNR2400000004
Legal Name: ALUMA TOWER COMPANY INC	Published Date: 11/1/23
Alias/DBA:	Close Date: 11/16/23
Total Bid: \$46,707.84	Close Time: 13:30
Response Date: 11/15/2023	Status: Closed
Response Time: 14:18	Solicitation Description: WRS: Mast Tower Kits - REBID
Responded By User ID: atcvero1639	Total of Header Attachments: 5
First Name: Shane	Total of All Attachments: 5
Last Name: Mullan	
Email: smullan@alumatower.com	
Phone: 772-567-3423	



**State of West Virginia
Agency Request for Quote
Equipment**

Proc Folder: 1321004		Reason for Modification:	
Doc Description: WRS: Mast Tower Kits - REBID		REBID of ARFQ DNR24*01 with specification revisions.	
Proc Type: Agency Purchase Order			
Date Issued	Solicitation Closes	Solicitation No	Version
2023-11-01	2023-11-16 13:30	ARFQ 0310 DNR2400000004	1

BID RECEIVING LOCATION

BID RESPONSE
 DIVISION OF NATURAL RESOURCES
 PROPERTY & PROCUREMENT OFFICE
 324 4TH AVE
 SOUTH CHARLESTON WV 25303-1228
 US

VENDOR

Vendor Customer Code: VS0000028165
Vendor Name : Aluma Tower Company, INC
Address : 1639 Old Dixie HWY
Street :
City : Vero Beach
State : FL **Country :** United States **Zip :** 32960
Principal Contact : Shane Mullan
Vendor Contact Phone: 772-567-3423 **Extension:** 1001

FOR INFORMATION CONTACT THE BUYER

James H Adkins
 (304) 558-3397
 jamie.h.adkins@wv.gov

Vendor Signature X *Richard Brown* **FEIN#** 59-2579704 **DATE** 11/15/23

All offers subject to all terms and conditions contained in this solicitation

ADDITIONAL INFORMATION

The West Virginia Division of Natural Resources - Wildlife Resources Section is soliciting bids for the one-time purchase of mast tower kits.

INVOICE TO		SHIP TO	
DIVISION OF NATURAL RESOURCES WILDLIFE RESOURCES SECTION ELKINS OPERATIONS CENTER PO BOX 67 ELKINS WV US		DIVISION OF NATURAL RESOURCES WILDLIFE RESOURCES SECTION ELKINS OPERATIONS CENTER 738 WARD RD ELKINS WV US	

Line	Comm Ln Desc	Qty	Unit Issue	Unit Price	Total Price
1	Mast Tower Kit	6.00000	EA	\$7,784.64	\$46,707.84

Comm Code	Manufacturer	Specification	Model #
20121910	Aluma Tower Company, INC		T-35H

Extended Description:

Mast Tower Kit

SCHEDULE OF EVENTS

<u>Line</u>	<u>Event</u>	<u>Event Date</u>
1	TECHNICAL QUESTION DEADLINE AT 9 a.m.	2023-11-09

DESIGNATED CONTACT: Vendor appoints the individual identified in this Section as the Contract Administrator and the initial point of contact for matters relating to this Contract.

Scottie Brown, Sales Director

(Name, Title)

Scottie Brown, Sales Director

(Printed Name and Title)

1639 Old Dixie HWY, Vero Beach, Fl 32960

(Address)

772-567-3423

(Phone Number) / (Fax Number)

scottie@alumatower.com

(Email Address)

CERTIFICATION AND SIGNATURE: By signing below, or submitting documentation through wvOASIS, I certify that I have reviewed this Solicitation in its entirety; that I understand the requirements, terms and conditions, and other information contained herein; that this bid, offer or proposal constitutes an offer to the State that cannot be unilaterally withdrawn; that the product or service proposed meets the mandatory requirements contained in the Solicitation for that product or service, unless otherwise stated herein; that the Vendor accepts the terms and conditions contained in the Solicitation, unless otherwise stated herein; that I am submitting this bid, offer or proposal for review and consideration; that I am authorized by the vendor to execute and submit this bid, offer, or proposal, or any documents related thereto on vendor's behalf; that I am authorized to bind the vendor in a contractual relationship; and that to the best of my knowledge, the vendor has properly registered with any State agency that may require registration.

Aluma Tower Company, INC

(Company)

Richard Brown

(Authorized Signature) (Representative Name, Title)

Scottie Brown, Sales Director

(Printed Name and Title of Authorized Representative)

11/15/23

(Date)

772-567-3423

(Phone Number) (Fax Number)

EXHIBIT A - PRICING PAGE

WV Division of Natural Resources - Wildlife Resources Section

Mast Tower Kit - REBID

Item No.	Description	Make & Model	Qty	Unit	Unit Cost*	Extended Cost
3.1.1	Mast Tower Kit	T-35H	6	ea.	\$7,784.64	\$46,707.84
TOTAL BID						\$46,707.84

*Unit Cost MUST include delivery to EOC (i.e. shipping or freight can't be listed separately). See specifications sheet for additional requirements and preferences for telescoping mast tower kit.

Shipping Location:
Elkins Operation Center (EOC)
738 Ward Road
Elkins, WV 26241

Scottie Brown

Vendor Authorized Representative (Print Name)

Richard Brown

11/15/23

Date

Vendor Authorized Representative Signature



1639 Old Dixie Hwy.
 Vero Beach, FL 32960 USA
 Phone: 1.772.567.3423
 Fax: 1.772.567.3432
 www.alumatower.com
 atc@alumatower.com

QUOTATION

Quote No.
 2300577

TO:

WEST VIRGINIA DIVISION OF
 NATURAL RESOURCES (WVDNR)
 738 WARD ROAD
 ELKINS, WV 26241
 (-)

SHIP TO:

WEST VIRGINIA DIVISION OF
 NATURAL RESOURCES (WVDNR)
 738 WARD ROAD
 ELKINS, WV 26241
 (-)

CONTACT: JAMIE ADKINS PH: 304-558-3397 EMAIL: JAMIE.H.ADKINS@WV.GOV

Quote No.	Date	Cust No	Terms	Estimated Delivery	F.O.B.	Expiration
2300577	11/8/2023	WVD010	NET 30	90 DAYS ARO	ORIGIN	60 DAYS

Item	QTY	Part	Description	Price \$	Mgr Disc.	Disc Price \$	Extension \$
001	6	900048	TOWER (T-35H), 32FT (10M), TEL ESCOPIC, ALUMINUM, CRANK-UP, CONSISTING OF 3-12FT SECTIONS (B,C,D), WITH 4FT OF OVERLAP. COMPLETE WITH 2"OD X 8FT L MAST WITH FIXED PLATES, "T" TILT BASE, BUILDING BRACKET, AND WORM GEAR WINCH. GUYED- WL: 70MPH, SA: 18 SQ FT, PL: 125LBS CRATE: D12	5,993.83	5.00%	5,694.14	34,164.84
002	6	800981	KIT, GUY WIRE (3-12CGA), 3-12F T SECTIONS, 3/16 GALVANIZED CABLE ASSEMBLIES (3 PER SECTION)	575.00		575.00	3,450.00
003	6	800982	ANCHOR, HELICAL SCREW (GA-2),), SET OF 3, DOUBLE FLUTE	360.00		360.00	2,160.00
004	6	801021	ANTENNA STANDOFF, DOUBLE, 3FT ARMS, TOP MOUNT, B HEAVY WALL SECTION, INCLUDES DETENT PINS	720.00		720.00	4,320.00
005	1	SHIPPING	ESTIMATED SHIPPING, THIS IS AN ESTIMATE BASED ON WEIGHTS, DIMENSIONS AND ZIP CODE. ACTUAL SHIPPING COST MAY ADJUST DUE TO PACKING AND/OR CHANGE ORDERS. PLEASE SEE NOTES FOR SHIPPING DETAILS	2,613.00		2,613.00	2,613.00
Total for Quote US\$							46,707.84

All prices are valid for 60 days unless otherwise noted.

All prices are quoted US Dollars - Finance option available, access <http://www.crestcapital.com/alumatower>
 Shipping, Crating and Packaging are extra, unless otherwise noted / For warranty info please access www.alumatower.com/warranty
 All sales are final and subject to Aluma Tower terms & conditions <https://www.alumatower.com/terms-conditions/>

By: _____
 SCOTTIE BROWN



1639 Old Dixie Hwy.
 Vero Beach, FL 32960 USA
 Phone: 1.772.567.3423
 Fax: 1.772.567.3432
 www.alumatower.com
 atc@alumatower.com

QUOTATION

Quote No.
 2300577

TO:

WEST VIRGINIA DIVISION OF
 NATURAL RESOURCES (WVDNR)
 738 WARD ROAD
 ELKINS, WV 26241
 (-)

SHIP TO:

WEST VIRGINIA DIVISION OF
 NATURAL RESOURCES (WVDNR)
 738 WARD ROAD
 ELKINS, WV 26241
 (-)

CONTACT: JAMIE ADKINS

PH: 304-558-3397

EMAIL: JAMIE.H.ADKINS@WV.GOV

Quote No.	Date	Cust No	Terms	Estimated Delivery	F.O.B.	Expiration
2300577	11/8/2023	WVD010	NET 30	90 DAYS ARO	ORIGIN	60 DAYS

Item	QTY	Part	Description	Price \$	Mgr Disc.	Disc Price \$	Extension \$

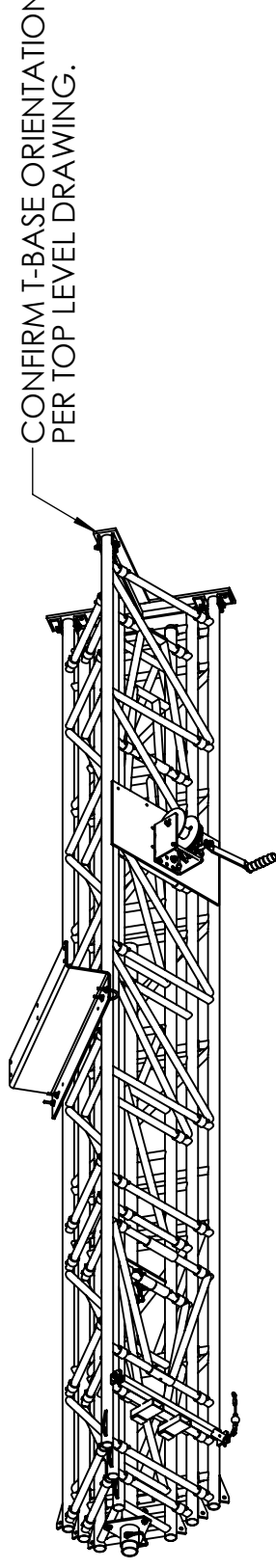
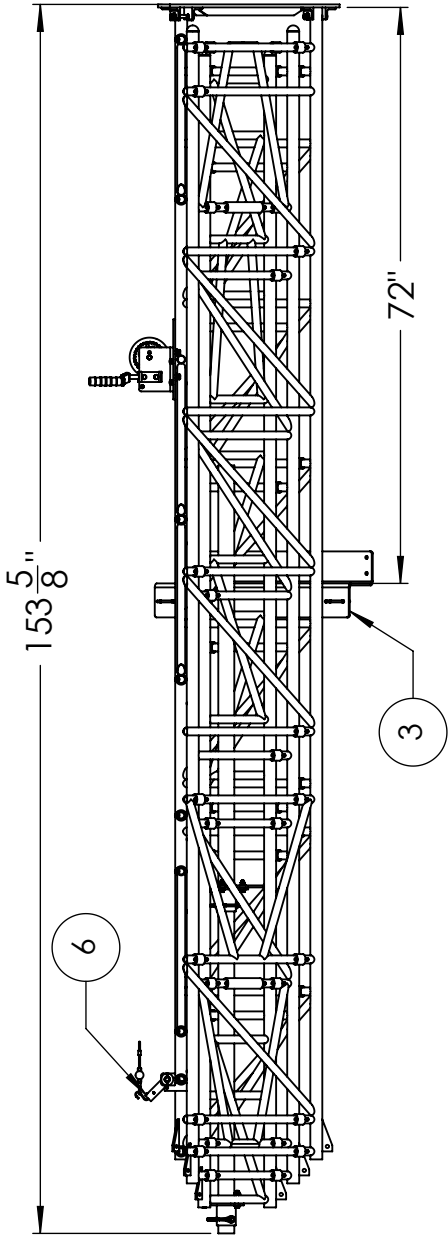
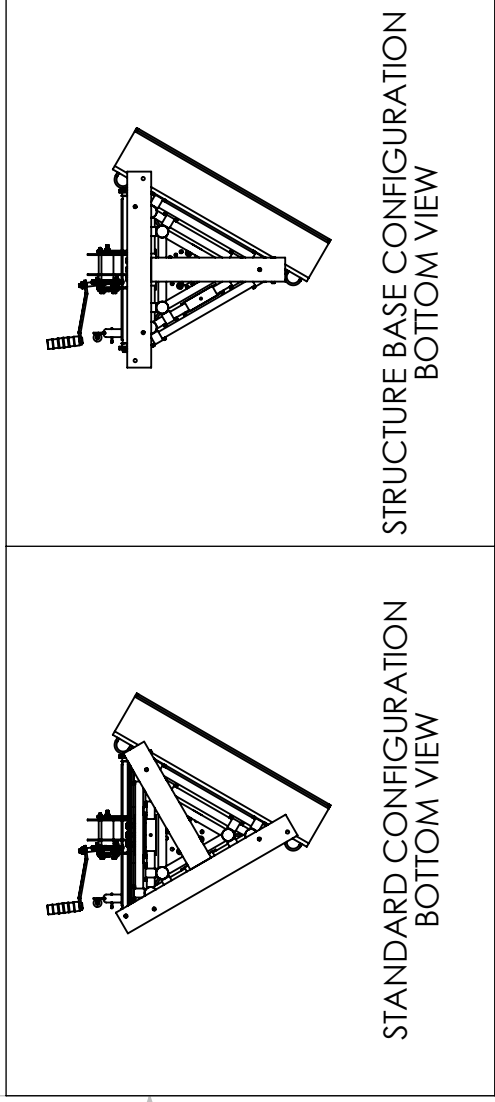
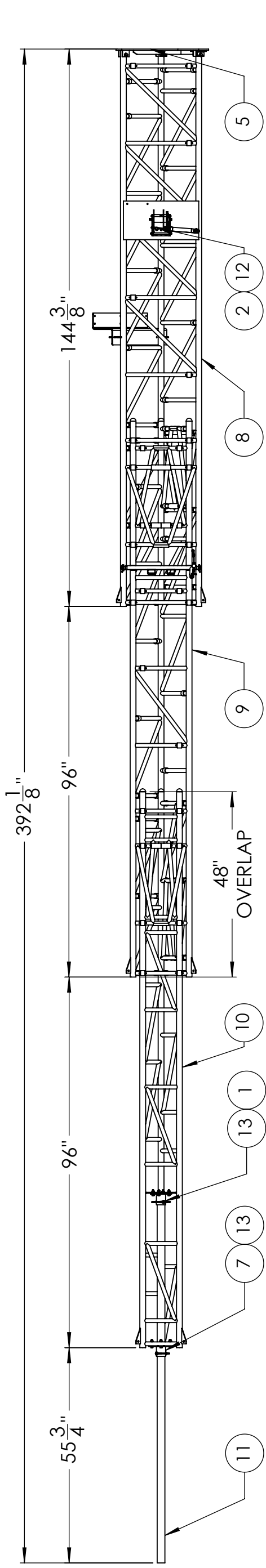
All prices are valid for 60 days unless otherwise noted.
 All prices are quoted US Dollars - Finance option available, access <http://www.crestcapital.com/alumatower>
 Shipping, Crating and Packaging are extra, unless otherwise noted / For warranty info please access www.alumatower.com/warranty
 All sales are final and subject to Aluma Tower terms & conditions <https://www.alumatower.com/terms-conditions/>

By: _____
 SCOTTIE BROWN

NOTES:

1. POSITIONAL TOLERANCE OF HOLES NON-CUM.
2. ALL DIMENSIONS APPLY AFTER SURFACE TREATMENT.
3. PLACE LABELS AND MARKINGS AS DESCRIBED IN PROCESS.
4. REFERENCE WORKMANSHIP STANDARD IPC-620 AND MIL-STD-454.

REV.	DESCRIPTION	DATE	ENGINEER/ECO
A	RELEASED FOR PRODUCTION	3/31/2014	A.P.
B	ADDED 3/8 LOCK WASHER, DELETED -03 FROM DWG NO. UPDATED TITLE	4/16/15	ATC
C	ADDED OVERLAP DIMS, REMOVED PAINT AND TAPE FROM BOM	4/29/2016	JRR
D	ADDED SAFETY STOP, ADDED VIEWS, REMOVED LABELS	1/24/2017	JRR
E	ADDED 802123 & T-BASE CONFIGURATIONS	07/3/17	JRR



ITEM	QTY.	PART NUMBER	DESCRIPTION
1	1	802123	ADAPTER, MAST, COMBO ROTOR PLATE, ASSY
2	3	801104	BOLT, ASSY, 3/8-16X1.25, HHCS
3	1	801052	ASSY, BRACKET, BUILDING, D OR E SECTION, 6" STANDOFF, ALUM, W/ U-BOLTS
4	1	800120	RIGGING, T-35H, 3-12FT SECTIONS, BCD
5	1	800110	ASSY, BASE, TOWER, TILT, D SECTION
6	1	800082	ASSY, SAFETY STOP, D SECTION
7	1	800024	ASSY, SUPPORT, MAST, B SECTION, TOP
8	1	700102	D SECTION, 12FT L, T-35H
9	1	700101	C SECTION, 12FT L, T-35H
10	1	700100	B SECTION, 12FT L, T-35H
11	1	400207	MAST, 2" X .125" WALL X 96"L, 6061-T6
12	1	300674	WINCH, WORM GEAR, 1500LBS
13	2	100046	PIN, LOCKING, SQUARE WIRE, 3/8

UNLESS OTHERWISE SPECIFIED	NAME	DATE
DIMENSIONS ARE IN INCHES TOLERANCES: $\frac{X}{X} \pm \frac{Y}{16}$ ANGLE MACH $\pm 1^\circ$ BEND $\pm 5^\circ$ DECIMAL .X ± 0.05 .XX ± 0.010 .XXX ± 0.001	DRAWN	AP 03/31/14
	CHECKED	JRR 01/24/17
	ENG APPR.	CD 1/24/2017
	MFG APPR.	GS 1/24/2017
	Q.A.	BL 1/24/2017
REMOVE ALL BURRS AND BREAK EDGES R0.030 OR CHAMFER MAX	MATERIAL	SEE BOM
PROPRIETARY AND CONFIDENTIAL THE INFORMATION CONTAINED IN THIS DRAWING IS THE SOLE PROPERTY OF ALUMA TOWER COMPANY INC. ANY REPRODUCTION IN PART OR AS A WHOLE WITHOUT THE WRITTEN PERMISSION OF ALUMA TOWER COMPANY INC. IS PROHIBITED. VIOLATORS WILL BE PROSECUTED UNDER APPLICABLE STATE AND FEDERAL LAWS	FINISH	NONE
USED ON	NEXT ASSY	

1639 OLD DIXIE HWY
PO BOX 2806
VERO BEACH, FLORIDA
32961

VOICE: 772.567.3423
FAX: 772.567.3432
ALUMATOWER.COM

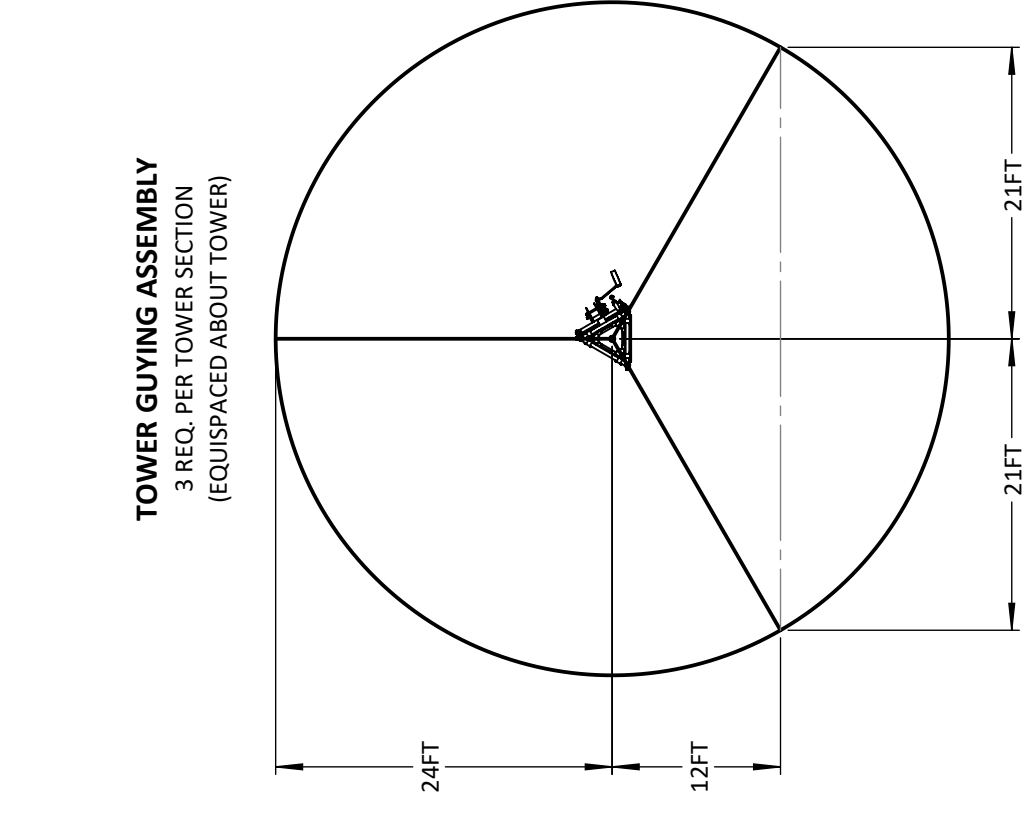
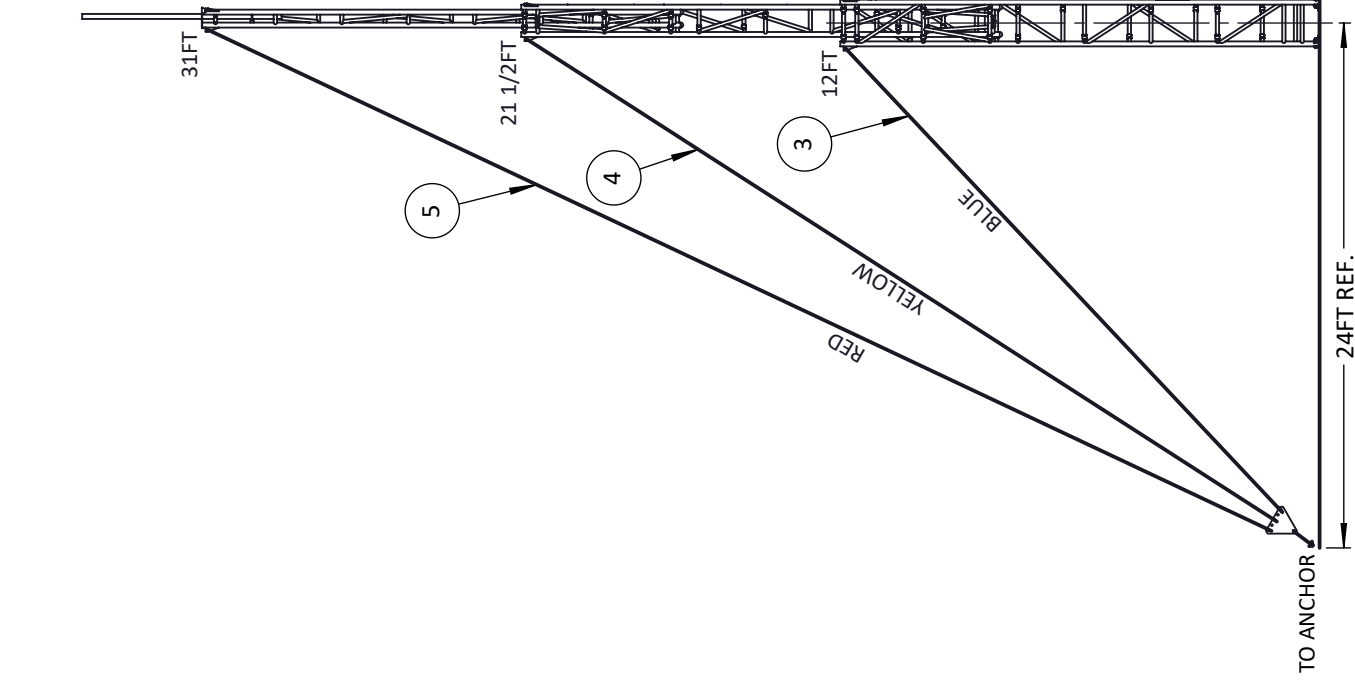
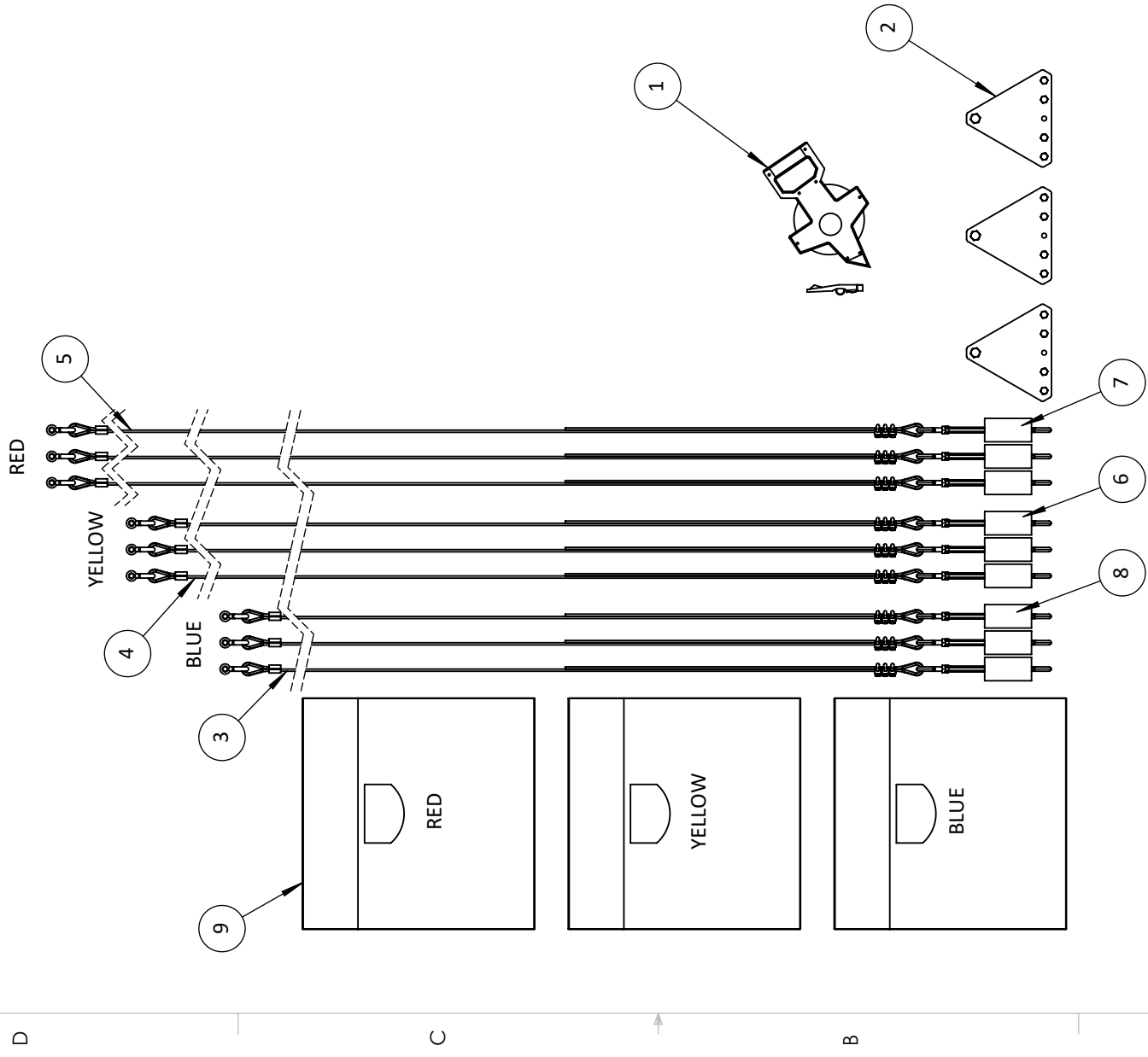
TITLE: ASSY, TOWER, T-35H, 3-12FT SECTION, BCD

SIZE	DWG. NO.	REV
B	900048	E

SCALE: 1:32 WT: 150.81 Lbs SHEET 1 OF 1

NOTES:

1. REMOVE BURRS AND BREAK SHARP EDGES
2. REFERENCE WORKMANSHIP STANDARD SPEC IPC-620 & MIL-HDBK-454.
3. LOCATE EQUIPMENT APPROXIMATELY AS SHOWN AT ASSEMBLY.
4. MATCH DRILL FOR APPROPRIATE HARDWARE AT ASSEMBLY AS REQUIRED.



TOWER GUYING ASSEMBLY
3 REQ. PER TOWER SECTION
(EQUISPACED ABOUT TOWER)

REVISIONS			
REV.	DESCRIPTION	DATE	ENGINEER/ECO
A	CAD RELEASE	10/13/15	JRR
B	RE-DRAWN FROM CAD, ADDED MISSING COMPONENTS PER NEW STANDARD	6/25/2019	JRR
C	REPLACE FOR 802688	7/3/2019	JRR

ITEM	QTY.	PART NUMBER	DESCRIPTION
1	1	802688	KIT, TOOL, GUY KIT
2	1	801224	PLATE, GUY ATTACHMENT, ASSY, SS HARDWARE, SET OF 3, COLOR CODED TO MATCH GUY WIRE COLORS
3	3	300972	WIRE, GUY, 3/16 GALV, GK-303, 30' EYE-TO-EYE, PREMADE
4	3	300971	WIRE, GUY, 3/16, GALV, GK-304, 33' EYE-TO-EYE, PREMADE
5	3	300969	WIRE, GUY, 3/16 GALV, GK-306, 41' EYE-TO-EYE, PREMADE
6	3	300367	TAG, TYVEK, YELLOW
7	3	300365	TAG, TYVEK, RED
8	3	300363	TAG, TYVEK, BLUE
9	3	300354	BAG, GUY KIT

USED ON NEXT ASSY

PROPRIETARY AND CONFIDENTIAL
THE INFORMATION CONTAINED IN THIS DRAWING IS THE SOLE PROPERTY OF ALUMA TOWER COMPANY INC. ANY REPRODUCTION IN PART OR AS A WHOLE WITHOUT THE WRITTEN PERMISSION OF ALUMA TOWER COMPANY INC. IS PROHIBITED. VIOLATORS WILL BE PROSECUTED UNDER APPLICABLE STATE AND FEDERAL LAWS

UNLESS OTHERWISE SPECIFIED

DIMENSIONS ARE IN INCHES

TOLERANCES:

$\frac{X}{X} \pm \frac{Y}{16}$ ANGLE

MACH $\pm 1^\circ$ BEND $\pm 5^\circ$

DECIMAL
.X ± 0.05
.XX ± 0.010
.XXX ± 0.001

REMOVE ALL BURRS AND BREAK EDGES
R0.030 OR CHAMFER MAX

FINISH
NONE

SEE BOM

NAME	DATE
DRAWN	JRR 06/24/19
CHECKED	KMK 06/25/19
ENG APPR.	CD 06/25/19
MFG APPR.	GS 06/25/19
G.A.	SM 06/25/19

1639 OLD DIXIE HWY
PO BOX 2806
VERO BEACH, FLORIDA
32961

ALUMA
TOWER COMPANY
ALUMATOWER.COM

VOICE: 772.567.3423
FAX: 772.567.3432

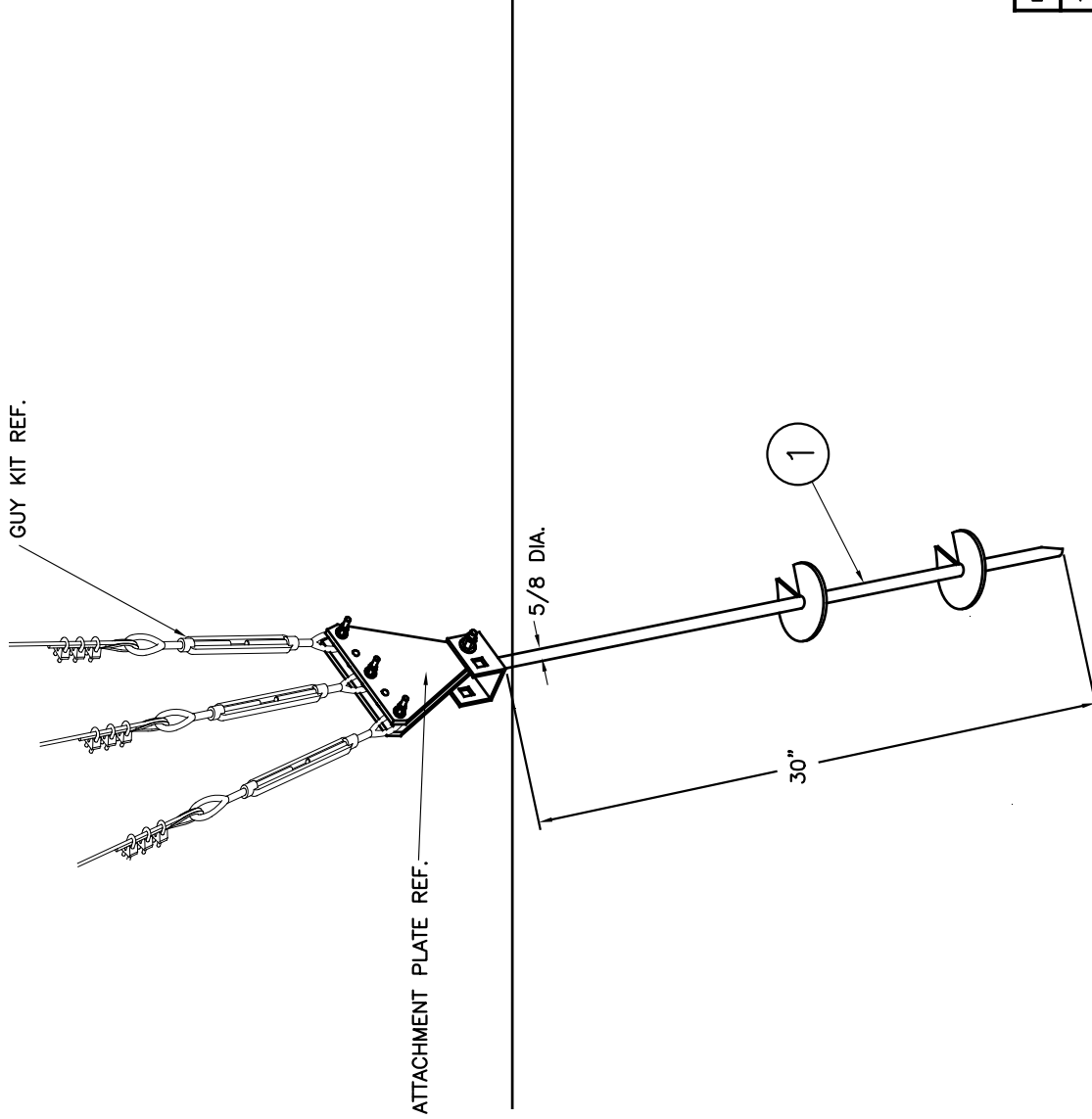
TITLE: KIT, GUY WIRE (3-12CGA), 3/16 GALV. CABLE ASSEMBLIES (3 PER SEC.)

SIZE DWG. NO. REV
B **800981** **C**

SCALE: 1:14 WT: 46.93 Lbs SHEET 1 OF 1

MFR. TEST DATA

- VERTICAL PULLOUT IN SILTY SAND & GRAVEL
- TEST PIECE TORQUED TO 500 INCH LBS. & MORE
- ULTIMATE STRENGTH 5,733 LBS. (AVG.)
- WORKING LOAD 3,841 LBS.
- SOIL CLASS 1,2,3,4



REV.	DATE	DESCRIPTION	BY
D	4-16-21	UPDATED MFRS DATA SOIL CLASSES	C.D.
C	7-1-19	REMOVED PLATES, UPDATED TITLE & BOM	C.D.
B	04/18/16	REMOVED 801224 FROM BOM	JRR
A	8-18-15	RELEASED FOR PRODUCTION	JRR

THIS DRAWING IS THE PROPERTY OF ALUMA TOWER CO. INC. ANY DUPLICATION OTHER THAN ITS EXPRESSED PURPOSE, REUSE, MODIFICATION OR PLAGIARISM OF ANY PART OF THIS DOCUMENT IS PROHIBITED. VIOLATORS WILL BE PROSECUTED UNDER FLORIDA STATE STATUTES.

DO NOT SCALE DRAWING.

REF NO. GA00-2

ITEM	QTY	PART #	DESCRIPTION
1	3	300787	ANCHOR, GROUND, DOUBLE FLUTE

ALUMA TOWER CO. INC.
 VERO BEACH, FL 32960
ANCHOR, HELICAL SCREW (GA-2)
SET OF 3, DOUBLE FLUTE

DRWN BY: R.T.	SCALE: FULL	DRWG. NO.
DGN BY: R.T.	DATE: 8-18-15	800982
CKD BY: R.T.	APP'D	REV. D